



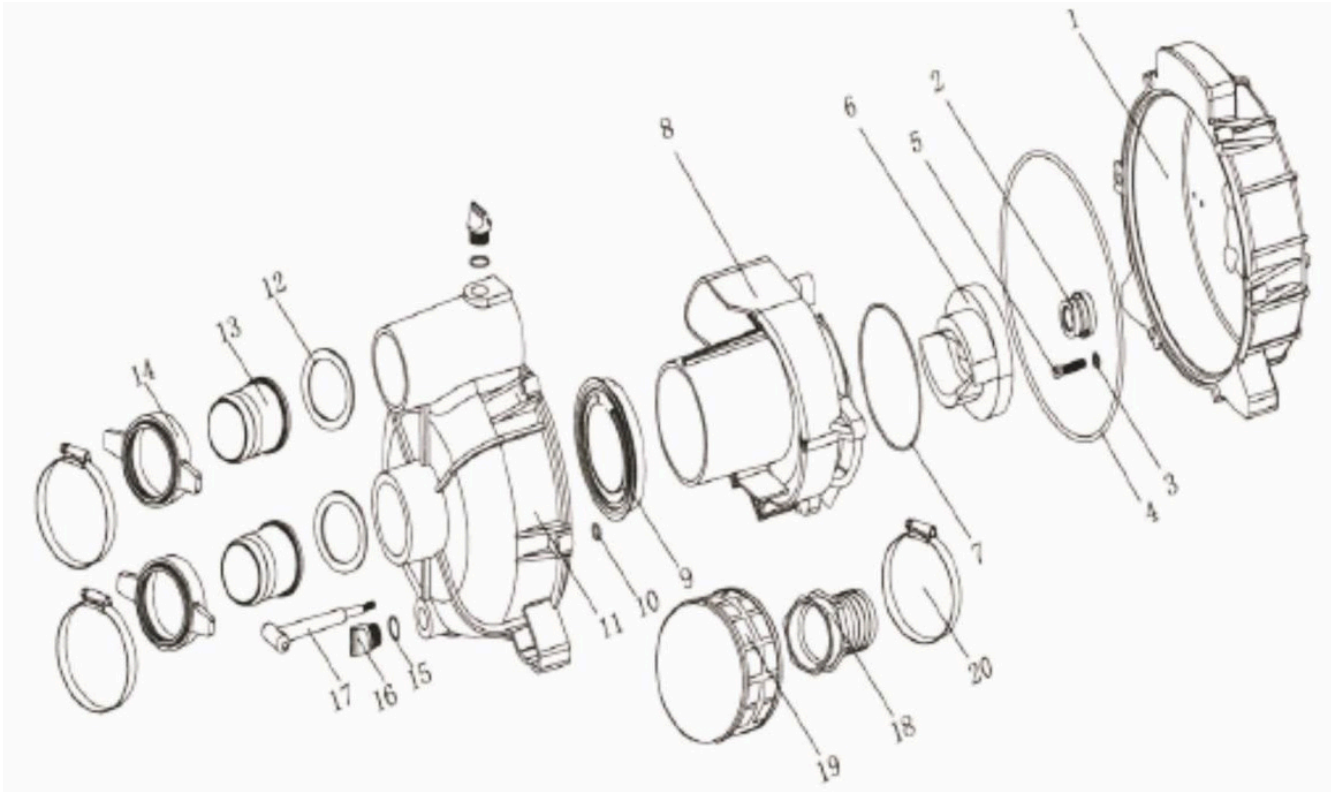
PARTS BREAKDOWN

3" TRASH PUMP

MODEL:MCW365HT

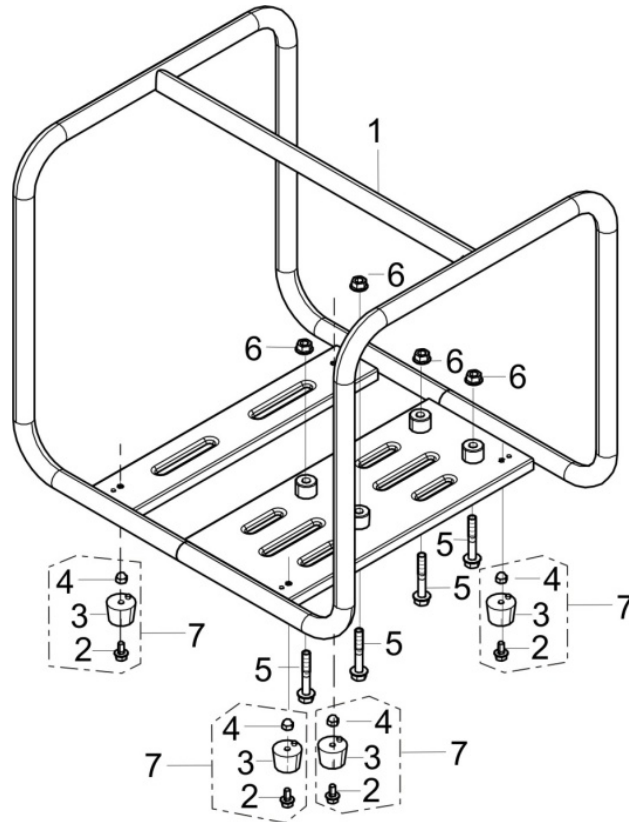


PUMP ASSEMBLY



REF #	DESCRIPTION	QTY	BE PART #
1	Water Pump Joint (RS Type)	1	50.103.204
2	Mechanical Seal Assembly	1	50.103.202
4	Water Pump Joint Cushion	1	
7	Whorl Case Sealing Ring	1	
9	Inlet Water Gasket	1	
10	Gasket	6	
6	Impeller	1	50.103.201
8	Whorl Case	1	50.103.206
11	Pump Body	1	50.103.207
15	Drain Plug Washer	1	50.103.203
16	Drain Plug	1	
17	T-Bolt	6	50.103.208
18	Suction Hose Interface	1	50.103.205
19	Strainer	1	
**	Complete Pump and Frame Assembly	1	85.150.213

FRAME ASSEMBLY



REF #	DESCRIPTION	QTY	BE PART #
2	Bolt	4	50.002.205
3	Engine Frame Shock Absorption Seat	4	
4	Acorn Nut	4	

***CHECK WITH HONDA FOR ENGINE BREAKDOWN AND PARTS**



If you need technical assistance call:

1-866-850-6662

(8:00am - 4:30pm PST, Mon - Fri)