



PARTS BREAKDOWN

PRESSURE WASHER

MODEL:MC205BWA



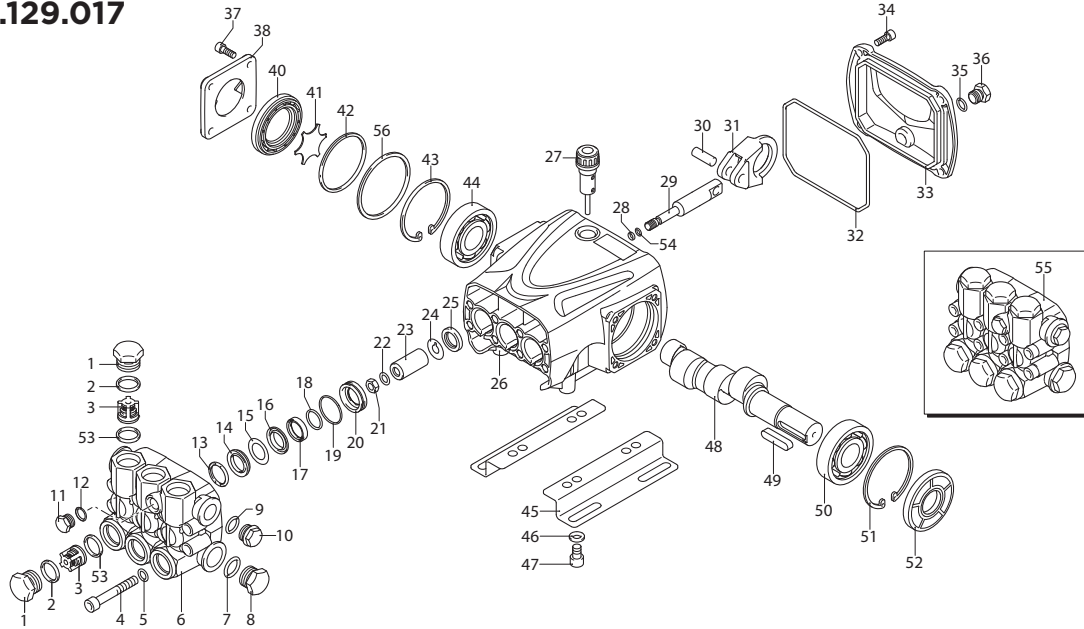
COMPONENTS



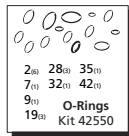
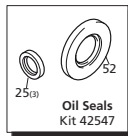
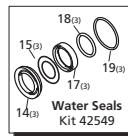
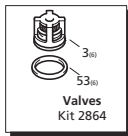
REF #	DESCRIPTION	QTY	BE PART #
1	SPRAY NOZZLE SET	1	85.210.045
2	HIGH PRESSURE HOSE, 50' X 3/8"	1	85.238.153
3	SPRAY GUN WAND ASSEMBLY	1	85.205.026
4	CHEMICAL INJECTOR ASSEMBLY	1	85.400.000
5	COMPLETE PUMP ASSEMBLY	1	85.129.017B
6	3/8" THERMAL RELIEF VALVE	1	85.300.023
7	FLOW SWITCH	1	85.300.014
8	UNLOADER ASSEMBLY	1	85.300.037
9	3/8" BRASS COUPLER	1	85.300.108
10	STARTER BOX - 5.0HP 1 PHASE	1	85.501.009-WS
11	HOSE REEL ASSEMBLY	1	85.402.001K
12	REPLACEMENT SWIVEL	1	85.402.005S
13	WALL MOUNT FRAME	1	85.600.112
14	*5.0 HP MOTOR ASSEMBLY	1	70.001.005

*CHECK WITH BALDOR FOR MOTOR BREAKDOWN AND PARTS

PUMP: 85.129.017

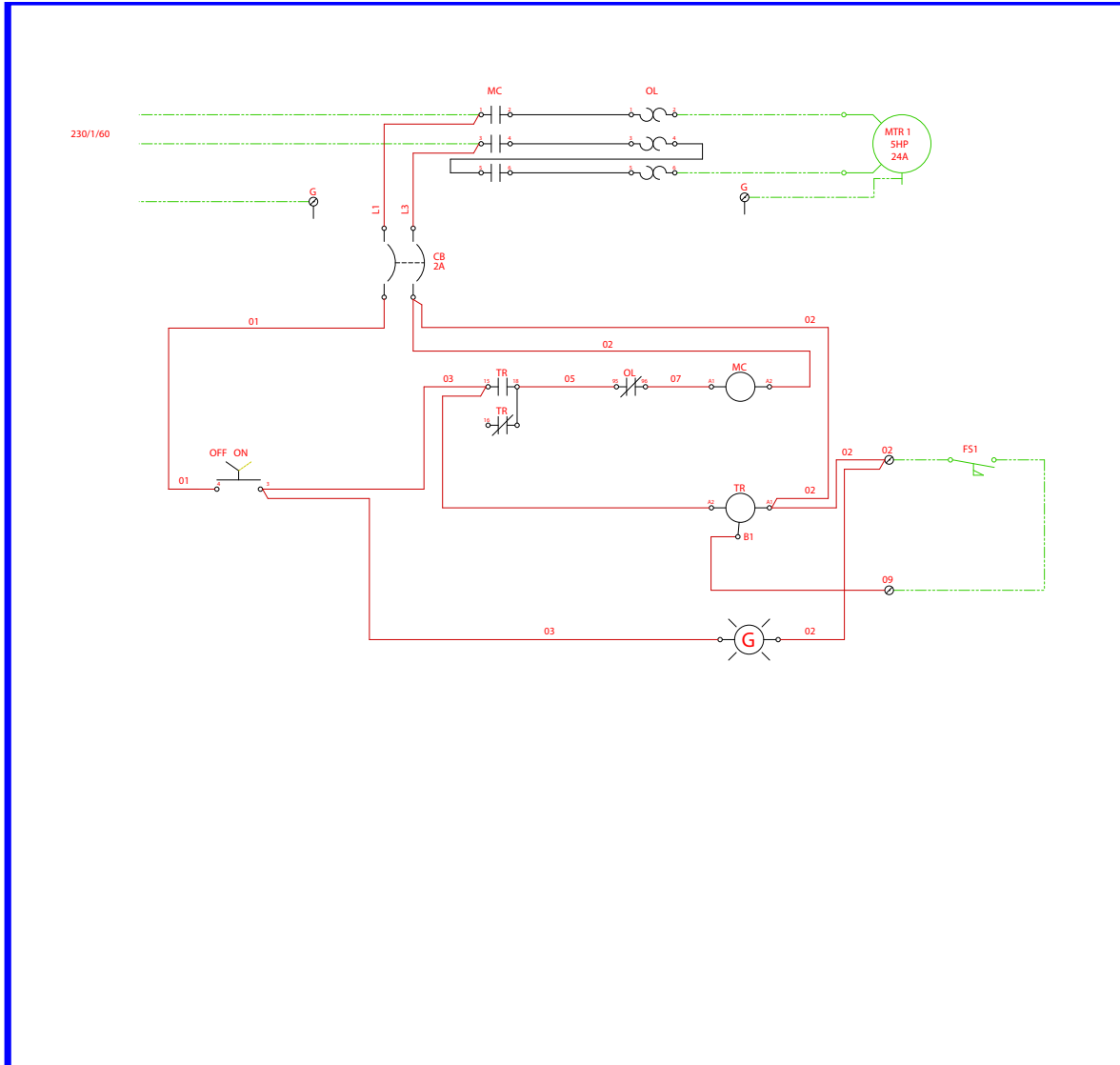


Repair Kits



Pos	Code	Description	Qty	Pos	Code	Description	Qty	Legend		
	960090	Valve Cap (478 in/lbs)	6	33	3220030	Rear cover	1	For ○	For ●	For ■
	960850	Valve Cap SST (478 in/lbs)	6	34	3200220	Screw TCEI 6x16 (71 in/lbs)	4	RR18.16N	RAA3.5G30N	RR15.20N
	9600909	Valve Cap -threaded 1/4" brass (478 in/lbs)	6	35	820510	O-Ring ø 10.82x1.78	1	RAA5.5G30N		RAA4G30N
	9608507	Valve Cap -threaded 1/4" SST (478 in/lbs)	6	36	880581	Plug 1/4" G (133 in/lbs)	1			
2	960160	O-Ring ø 17.86x2.62	6	37	1200430	Screw M 6x16 (92 in/lbs)	4			For ◆
3	1389051	Complete valve	6	38	3200070	Cover	1			RAA4G40N
4	800860	Screw M 8x55 (225 in/lbs)	8	40	3220080	Oil indicator	1			
5	1381850	Washer	8	41	3200090	Disc	1			
6	3220020	Head	1	42	650560	O-Ring ø 56.82x2.62	1			
7	180101	O-Ring ø 17.5x2	1	43	200390	Snap ring øi 62	1			
8	820361	Plug 1/2" G (354 in/lbs)	1	44	1981210	Bearing	1			
9	740290	O-Ring ø 14x1.78	1	45	3200210	Base	2			
10	1980740	Plug 3/8" G (221 in/lbs)	1	46	1322640	Washer	4			
11	880581	Plug 1/4" G (133 in/lbs)	1	47	850250	Screw M 8x18 (225 in/lbs)	4			
12	820510	O-Ring ø 7.66x1.78	1	48	3220050	Crankshaft - Solid Shaft	○1			
13	1780140	Ring	3	49	3220330	Crankshaft - Solid Shaft	●1			
14	1780720	High pressure seal	3	50	3220360	Crankshaft - Solid Shaft	■1			
15	3200250	Ring	3	51	3200230	Key	1			
16	3220130	Piston guide - front	3	52	1981210	Bearing	1			
17	3200142	Low pressure seal	3	53	200390	Circlip øi 62	1			
18	3200260	Ring	3	54	3220280	Snap ring	1			
19	770260	O-Ring ø 7.66x1.78	3	55	880830	O-Ring ø 15.54x2.62	6			
20	3220120	Piston guide - rear	3	56	1080550	Ring	3			
21	1260110	Nut M 8 (106 in/lbs)	3		3229200	Complete head assembly	●○1			
22	1260100	Washer	3		3229202	Complete head assembly	■1			
23	1780080	Piston	3		3220780	O-Ring ø 61.8x0.5	1			
24	1260091	Spacer	3							
25	1260460	Ring	3		AR64516	Oil	2			
26	3220010	Pump body	1			OIL CAPACITY - OZ				
27	880130	Plug (44 in/lbs)	1							
28	480480	O-Ring ø 4.48x1.78	3							
29	3220060	Piston	3							
30	3220070	Conrod pin	3							
31	3220040	Conrod	3							
	3220560	Conrod Bronze	◆3							
32	651540	O-Ring ø 107.62x2.62	1							

STARTER BOX WIRING DIAGRAM



[MRS] DRIVE CONNECTION TERMINAL	—	ARROW SUPPLIED ENCLOSURE WIRING	ENCLOSURE	NEMA 1	TYPE	NONE	CODE	NO. OF POLES	PHASE	VOLTS	AMPS
BBB Ⓞ DEVICE CONNECTION TERMINAL	—	CUSTOMER SUPPLIED ENCLOSURE WIRING	PART NUMBER								
BBB Ⓞ TERMINAL NOT FOR CUSTOMER CONNECTION	—	CUSTOMER SUPPLIED FIELD WIRING									
BBB Ⓞ TERMINAL FOR CUSTOMER CONNECTION	—	SUPPLIED PLC OUTPUT									
D > LOCATED ON ENCLOSURE DOOR	—	SUPPLIED PLC INPUT									
I > LOCATED INSIDE ENCLOSURE	—	CUSTOMER PLC OUTPUT									
R > LOCATED REMOTE FROM ENCLOSURE	—	CUSTOMER PLC INPUT	1	25-FEB-22	***** AS BUILT *****						
C > LOCATED IN RESISTOR CAGE	—		0	17-FEB-22	ISSUED FOR CONSTRUCTION						
			REV:	DATE	DESCRIPTION						



If you need technical assistance call:

1-866-850-6662

(8:00am - 4:30pm PST, Mon - Fri)