



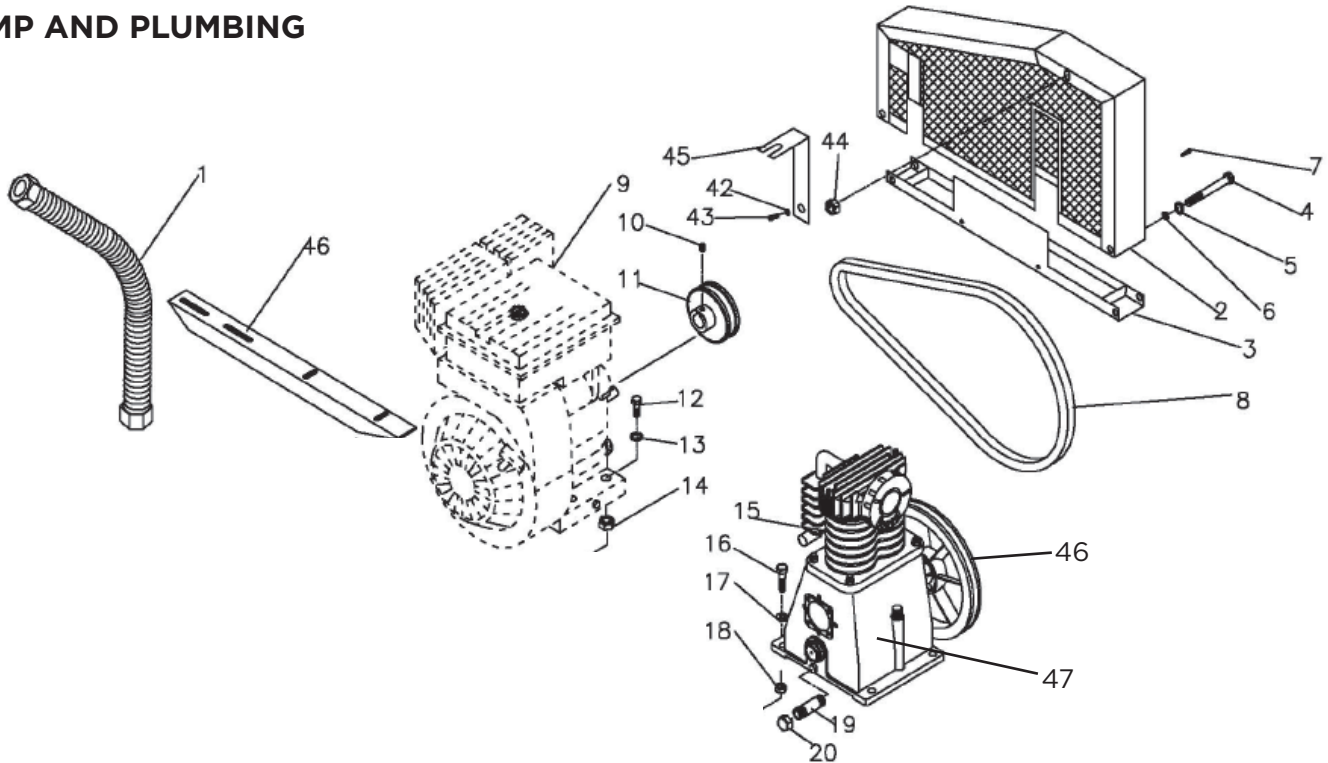
PARTS BREAKDOWN

AIR COMPRESSOR

MODEL:BCAC658HB



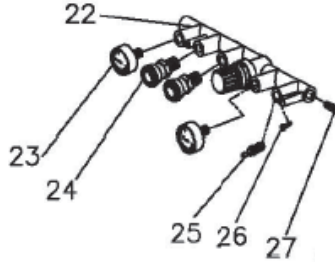
PUMP AND PLUMBING



REF #	DESCRIPTION	QTY	BE PART #
1	STEEL BRAIDED DISCHARGE PIPE	1	42.004.020
2	BELT GUARD ASSEMBLY	1	42.008.013
8	BELT	1	42.004.021
11	MOTOR PULLEY	1	42.004.029
45	BELT GAURD BRACKET	1	42.004.032
46	PUMP PULLEY	1	42.008.010
47	COMPLETE PUMP ASSEMBLY (INCLUDES PULLEY)	1	42.004.022

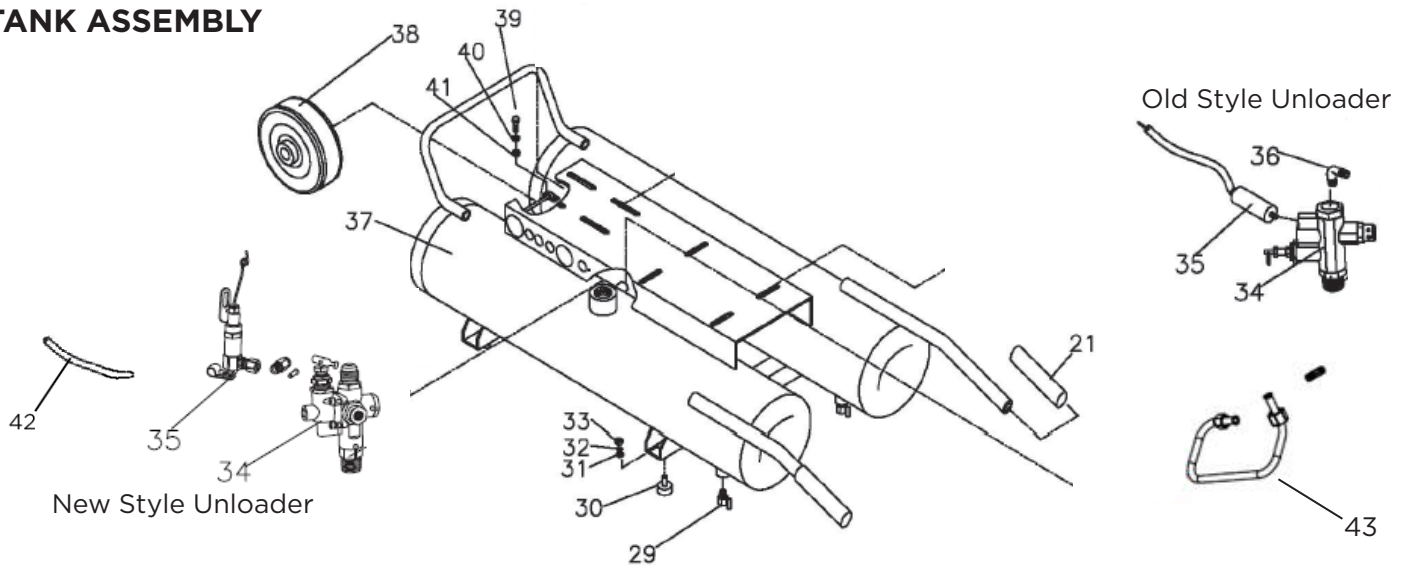
***CHECK WITH HONDA FOR ENGINE BREAKDOWN AND PARTS**

MANIFOLD ASSEMBLY



REF #	DESCRIPTION	QTY	BE PART #
22	BARE MANIFOLD	1	42.004.023
23	PRESSURE GAUGE	2	42.004.031
24	QUICK COUPLERS	2	42.000.047
25	SAFETY VALVE	1	42.006.009
22-27	COMPLETE MANIFOLD ASSEMBLY	1	42.004.011

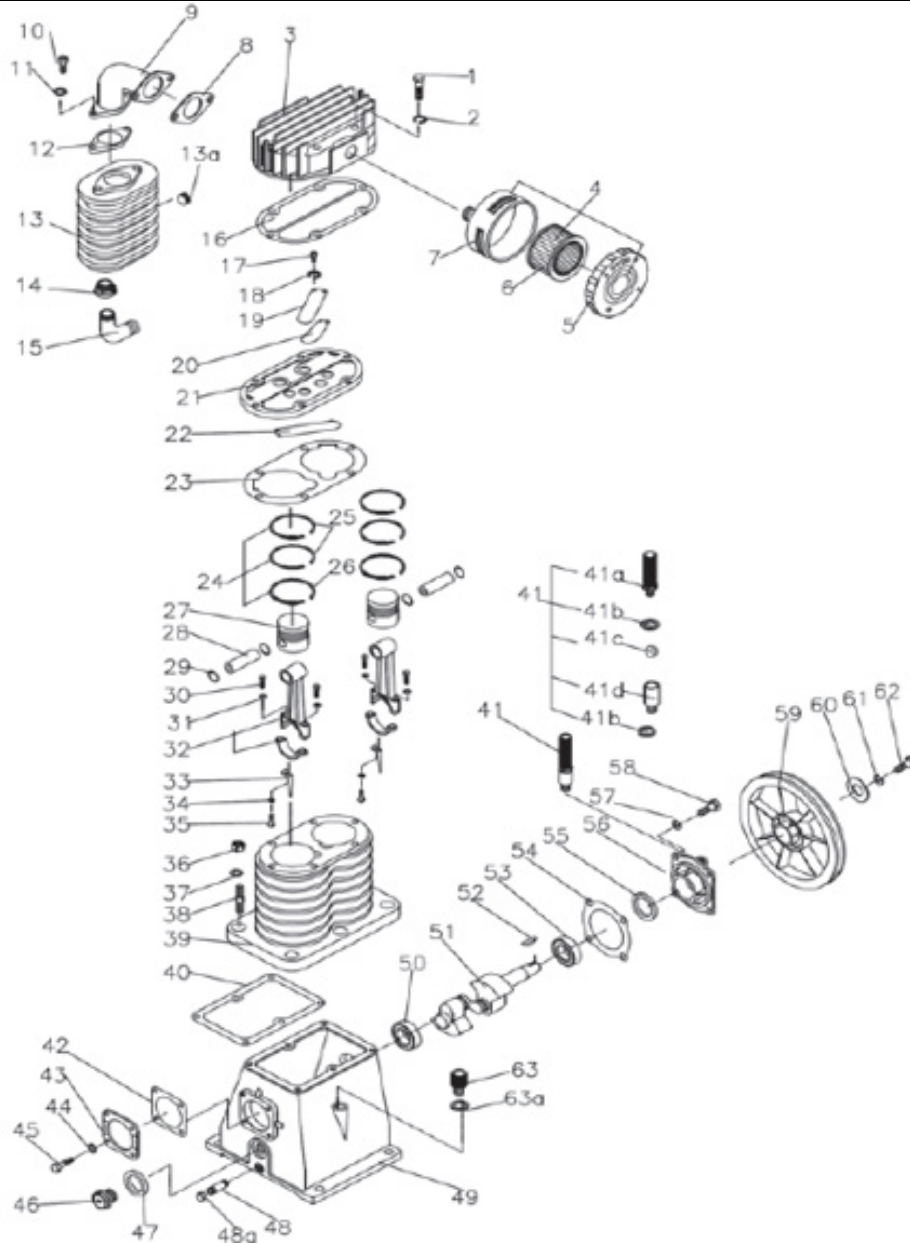
TANK ASSEMBLY



REF #	DESCRIPTION	QTY	BE PART #
38	Wheel	1	42.004.010
29	Tank Drain Valve	2	42.004.025
30-33	Rubber Foot Replacment Kit (each)	4	85.660.007BT
34	Pilot Unloader Valve	1	42.010.024
35	Engine Throttle Control	1	42.010.026
42	Engine Throttle Hose	1	42.010.029
34,35,42	Unloader Replacement Kit*	1	42.010.044
43	Pipe, Manifold to Air Tanks	1	42.004.024

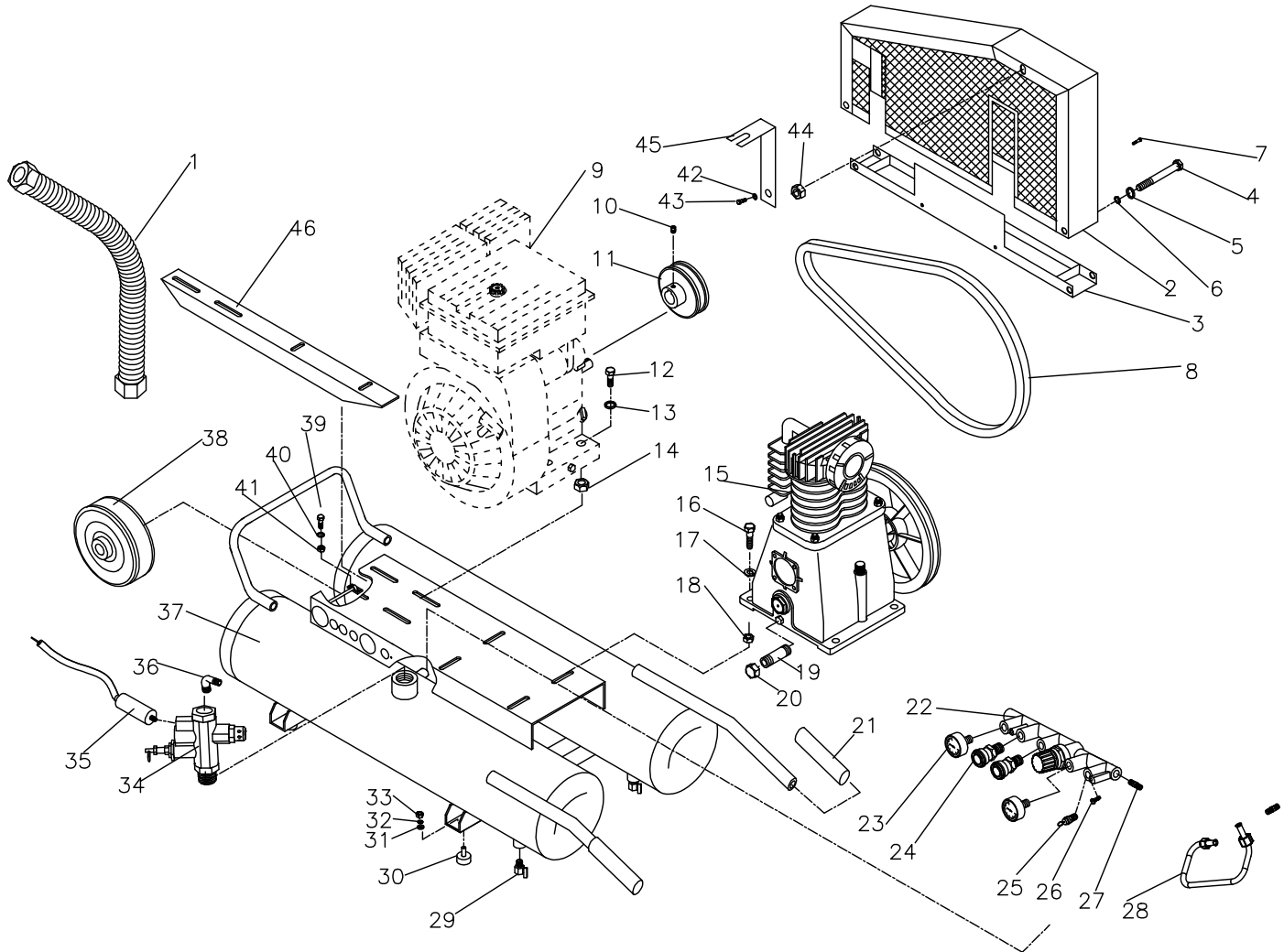
*Old style units had wire actuated throttle cables. New version is pneumatic actuated. Replacement kit upgrades old style into new.

PUMP ASSEMBLY



REF #	DESCRIPTION	QTY	BE PART #
3	CYLINDER HEAD	1	42.008.009
4	AIR FILTER ASSEMBLY	1	42.004.028
16	CYLINDER HEAD GASKET	1	42.008.014
41	BREATHER ASSEMBLY	1	42.004.030
59	PUMP PULLEY	1	42.008.010
63	OIL BREATHER PLUG	1	42.008.011
63a	OIL BREATHER PLUG WASHER	1	42.008.012
**	COMPLETE PUMP ASSEMBLY	1	42.004.022

COMPLETE ASSEMBLY
(FOR REFERENCE)





If you need technical assistance call:

1-866-850-6662

(8:00am - 4:30pm PST, Mon - Fri)