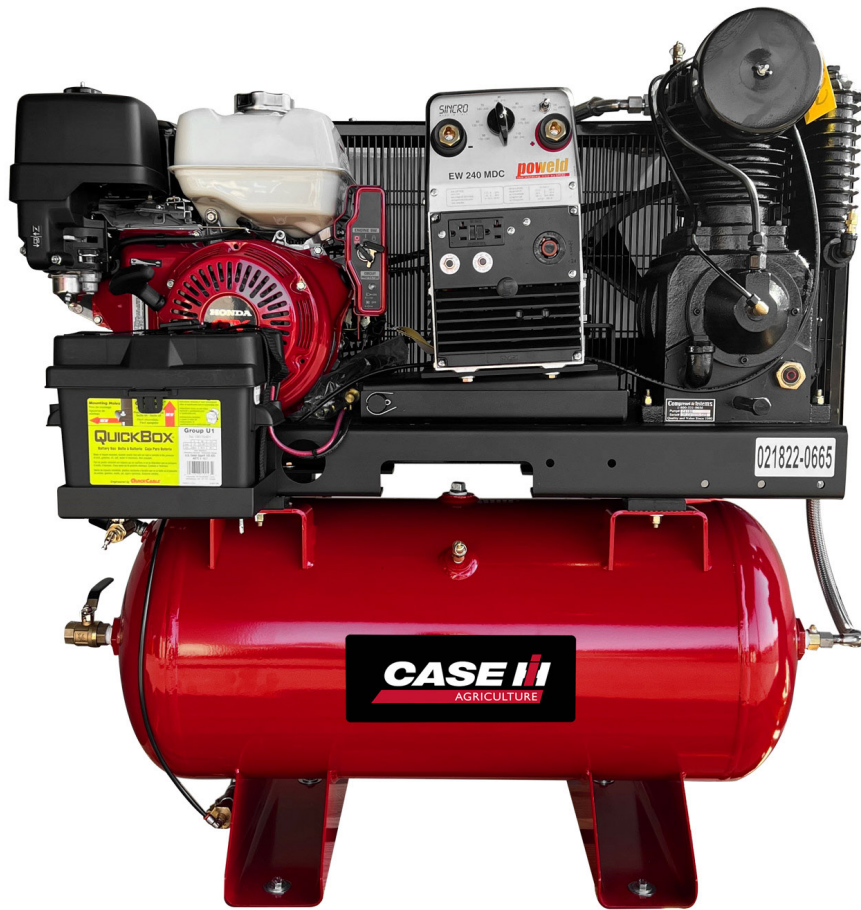




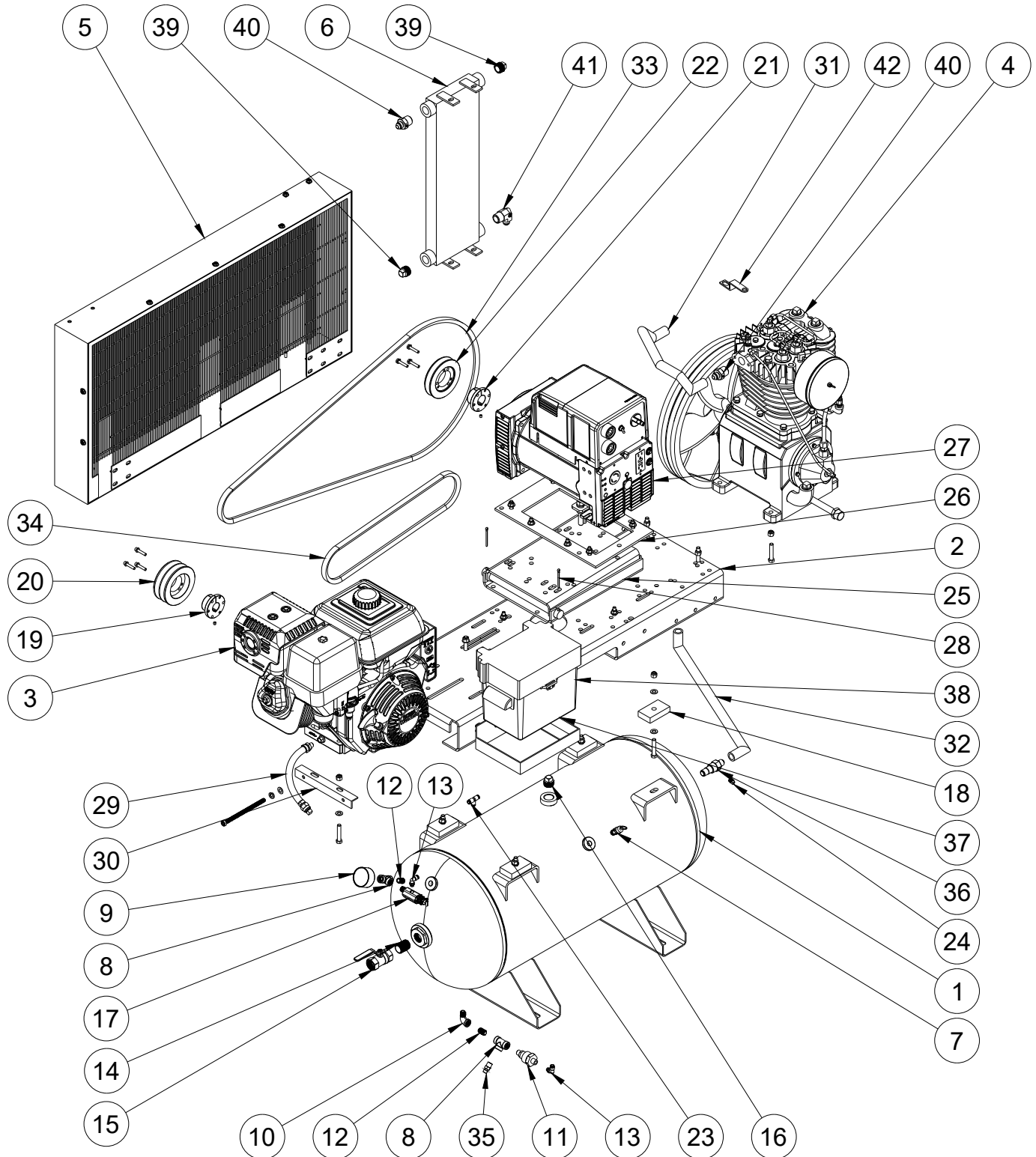
PARTS BREAKDOWN

AIR COMPRESSOR/WELDER/GENERATOR

MODEL:BCAC1330HGW



BREAKDOWN





PARTS BREAKDOWN

AIR COMPRESSOR/WELDER/GENERATOR

MODEL:BCAC1330HGW

PARTS LIST

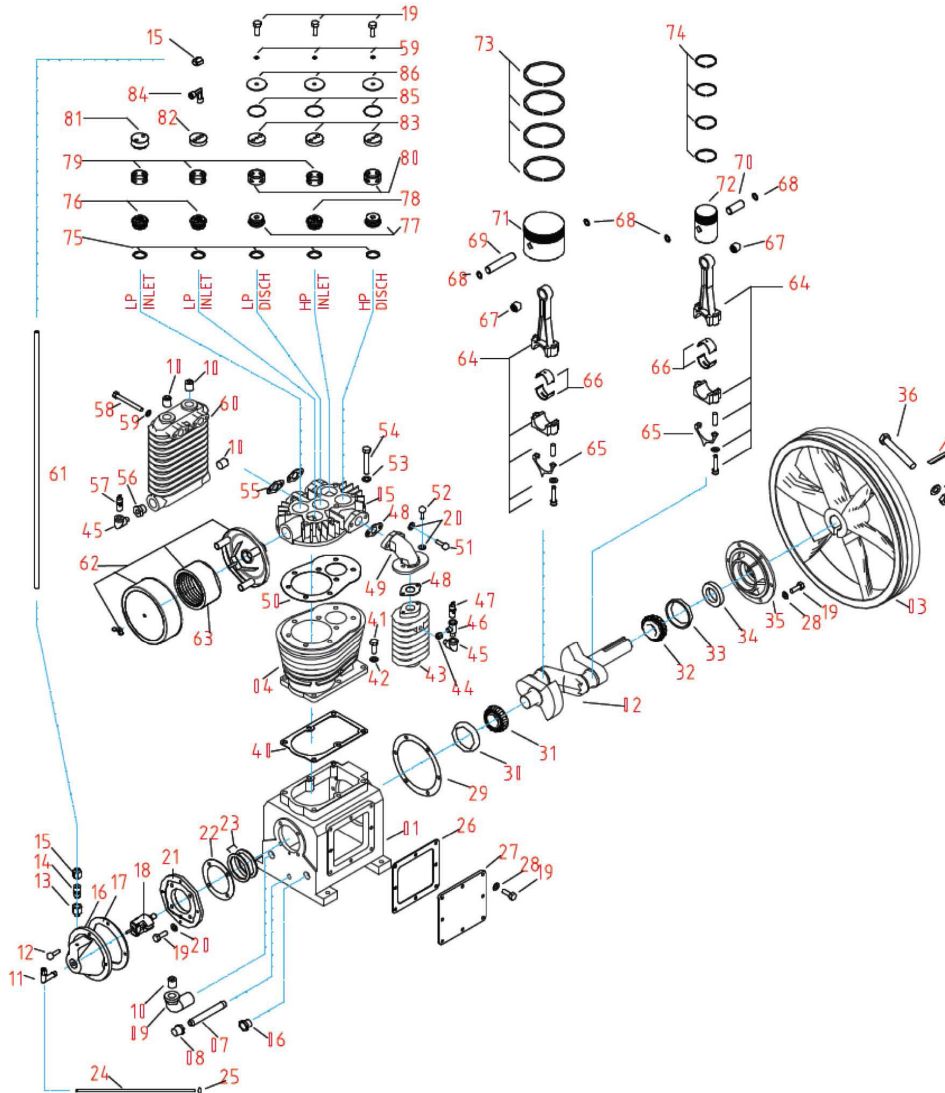
| REF # | DESCRIPTION | QTY | BE PART # |
|-------|-----------------------------------|-----|---------------------|
| 3 | *HONDA GX390 ENGINE | 1 | *CHECK WITH HONDA |
| 4 | CA1U PUMP | 1 | SEE PAGE 4 |
| 9 | TANK PRESSURE GAUGE, 300 PSI | 1 | 42.004.034 |
| 11 | AUTOMATIC TANK DRAIN BRASS VALVE | 1 | 42.005.017 |
| 17 | PILOT UNLOADER VALVE | 1 | 42.005.069 |
| 18 | **BATTERY BOX WITH TRAY AND WIRES | 1 | 42.005.068 |
| 27 | SINCRO WELDER/GENERATOR | 1 | **CHECK WITH SINCRO |
| 34 | ***BELT - WELDER/GENERATOR | 1 | ***BX39 |
| 33 | ***BELT - PUMP | 1 | ***B84 |

*CHECK WITH HONDA FOR ENGINE BREAKDOWN AND PARTS.

**CHECK WITH SINCRO FOR PARTS AND BREAKDOWNS. MODEL EW 240 MDC

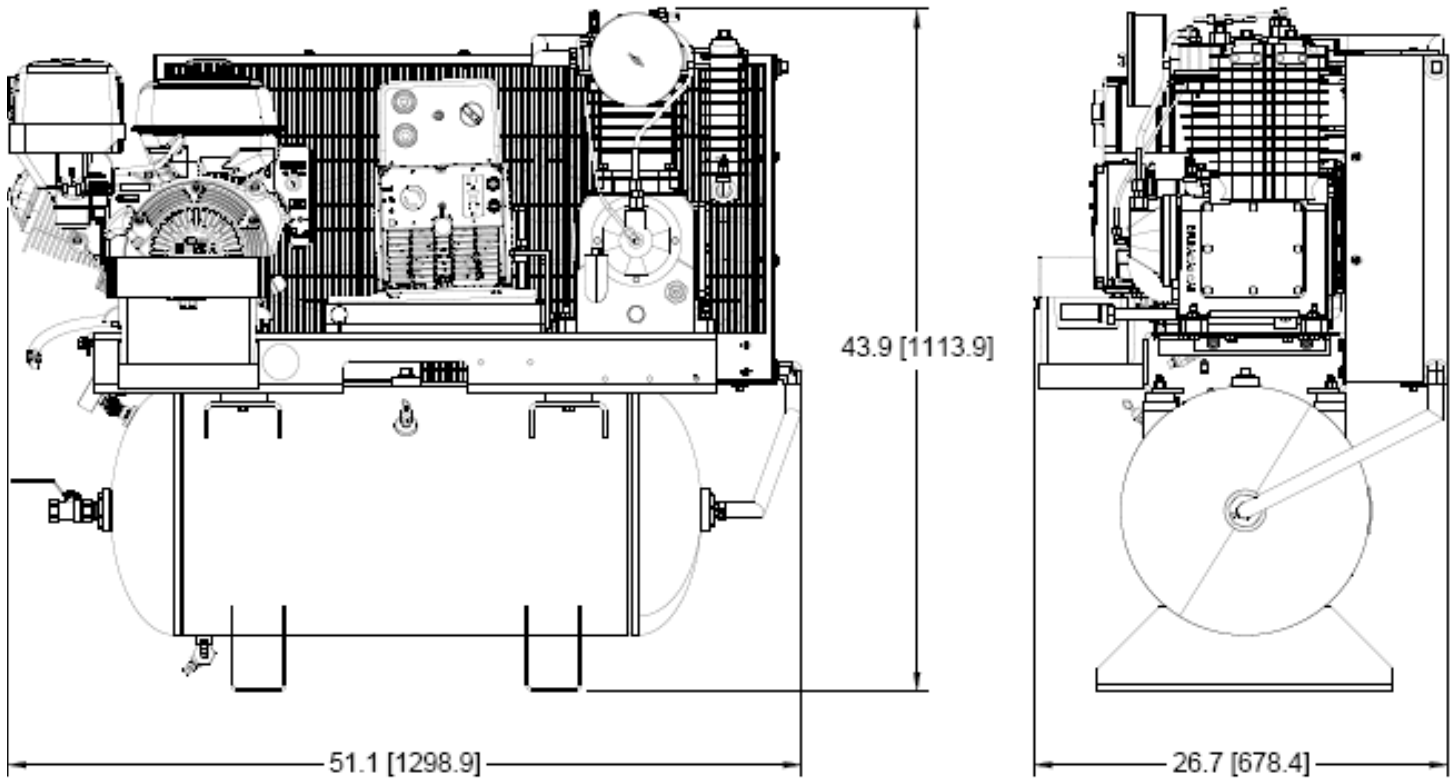
***BELTS NOT SOLD THROUGH BE. CHECK WITH LOCAL SUPPLIER.

CA1U PUMP
42.005.020



| REF # | DESCRIPTION | QTY | BE PART # |
|-------|----------------------------|-----|------------|
| 11,12 | CENTRIFUGAL UNLOADER ELBOW | 1 | 42.005.022 |
| 13 | PUMP FLYWHEEL | 1 | 42.005.057 |
| 62 | AIR FILTER ASSEMBLY | 1 | 42.008.052 |
| 63 | AIR FILTER ELEMENT | 1 | 42.005.028 |

DIMENSIONS



| DIMENSION | MEASUREMENT | QTY |
|-----------|-------------|--------|
| LENGTH | INCHES | 51.1 |
| | MILLIMETERS | 1298.9 |
| WIDTH | INCHES | 26.7 |
| | MILLIMETERS | 678.4 |
| HEIGHT | INCHES | 43.9 |
| | MILLIMETERS | 1113.9 |
| WEIGHT | POUNDS | 550 |

| COMPONENT | SPECIFICATION | RATING |
|----------------|---------------------------------|----------------|
| AIR COMPRESSOR | AIR DELIVERED AT 175 PSI | 19 CFM |
| | MAX PRESSURE | 175 PSI |
| | TANK SIZE | 30 GALLONS |
| WELDER | WELDER TYPE | DC STICK |
| | WELDER WORKING | 180 AMP AT 60% |
| | WELDER OUTPUT DUTY CYCLE AT MAX | 240 AMP AT 35% |
| GENERATOR | MAX OUTPUT | 5,500 WATTS |
| | AMPS AVAILABLE AT 120V | 45.8 AMPS |
| | AMPS AVAILABLE AT 240V | 22.9 AMPS |



If you need technical assistance call:

1-866-850-6662

(8:00am - 4:30pm PST, Mon - Fri)