

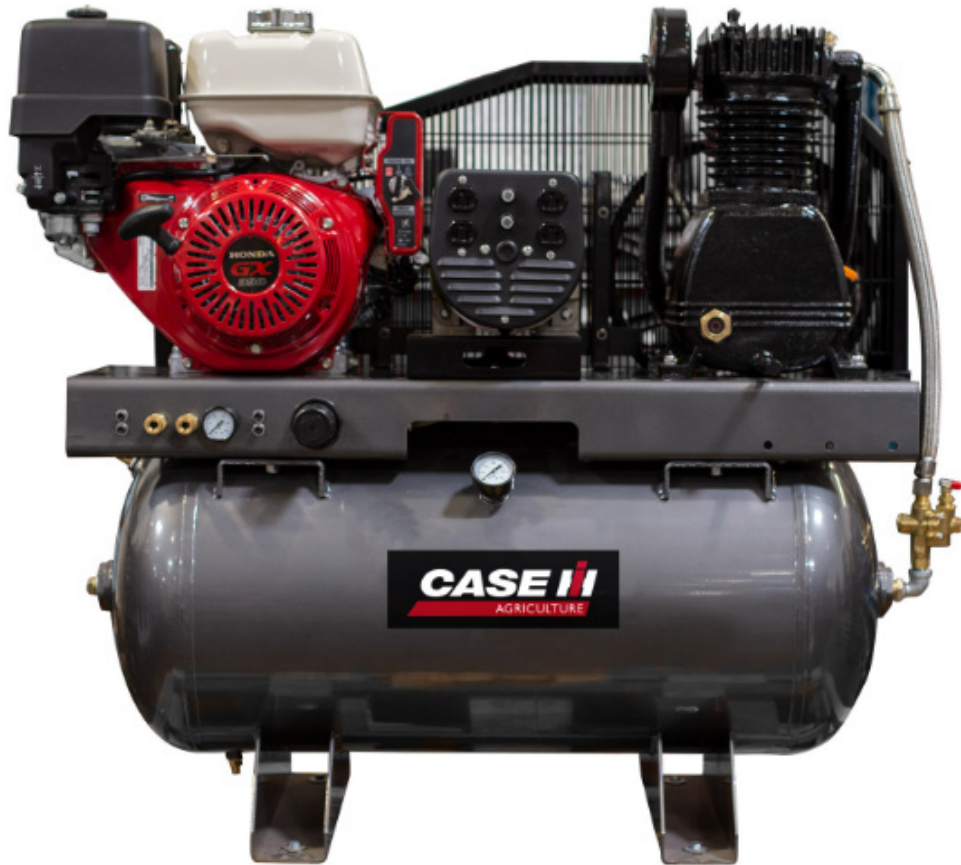


# PARTS BREAKDOWN

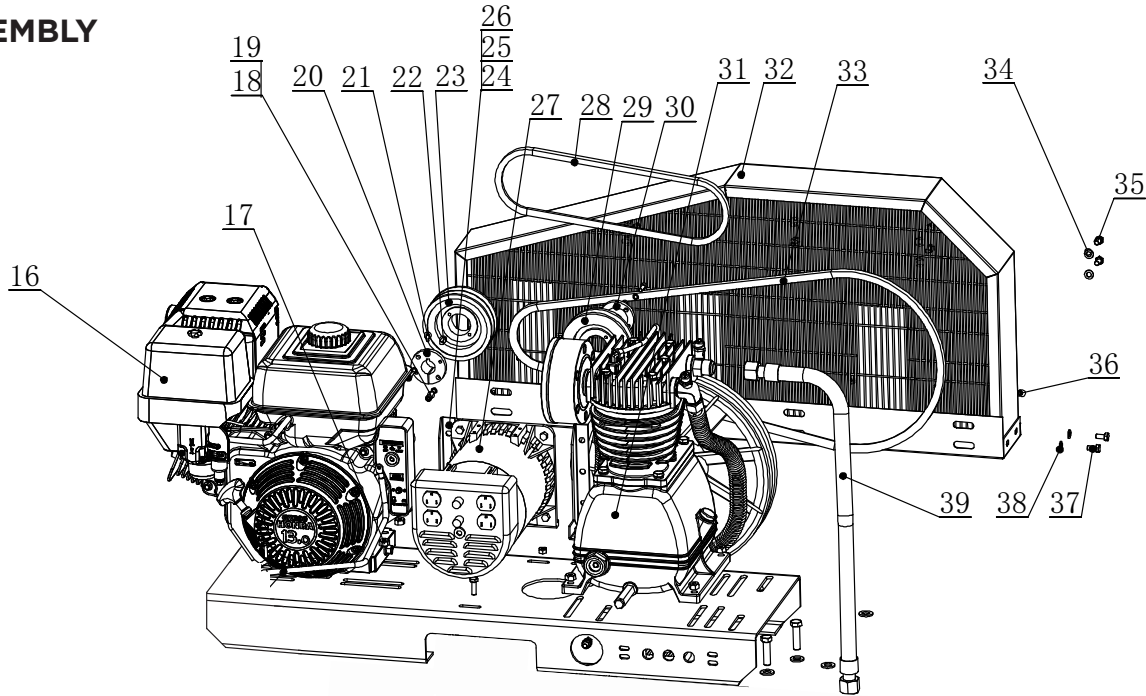
## AIR COMPRESSOR

MODEL:BCAC1330HG2

---



**TOP ASSEMBLY**



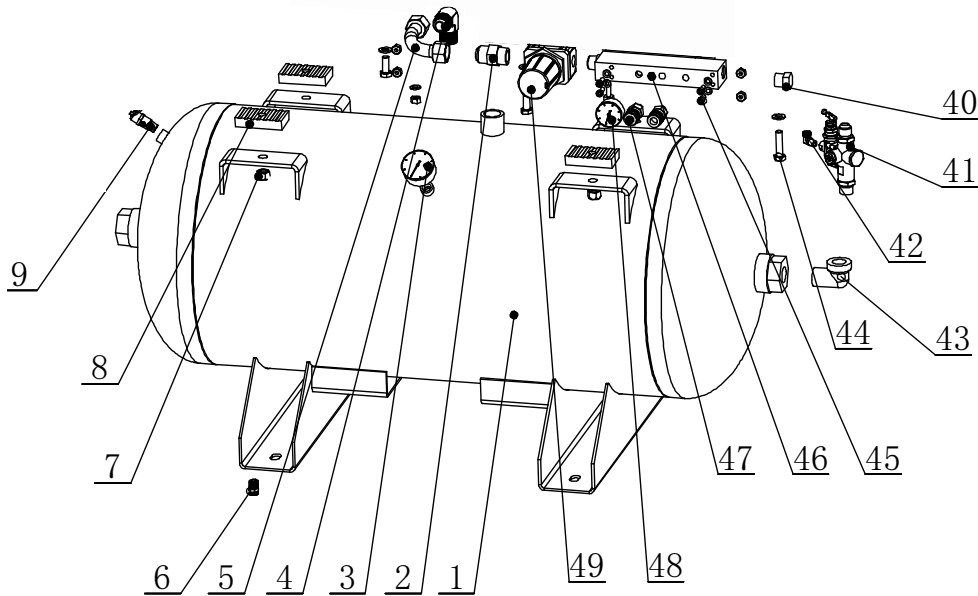
REF #	DESCRIPTION	QTY	BE PART #
16	*HONDA GX390 ENGINE	1	CHECK WITH HONDA
18	HEX SOCKET HEAD CAP SCREW	4	42.005.088
20	PULLEY BUSHING	1	
21	SOCKET HEAD CAP SCREW	1	
22	PLAIN KEY	2	
23	ENGINE PULLEY	1	
27	ALTERNATOR	1	ALT20029
NOT SHOWN	ALTERNATOR CAPACITOR	1	85.573.028
28	**ALTERNATOR BELT TYPE	1	AV17
29	ALTERNATOR PULLEY	1	42.005.089
30	PULLEY BUSHING	1	
31	PUMP ASSEMBLY	1	SEE PAGE 5
32	BELT GUARD	1	42.005.079
33	**PUMP BELT TYPE	1	A77
39	FLEX LINE	1	42.005.084
41	PILOT UNLOADER VALVE	1	42.005.025
46	MANIFOLD	1	42.005.090
49	PRESSURE REGULATING VALVE	1	42.005.080

\*CHECK WITH HONDA FOR ENGINE BREAKDOWN AND PARTS

\*\*BELTS NOT SOLD THROUGH BE. CHECK WITH LOCAL SUPPLIER

### TANK ASSEMBLY

42.005.063

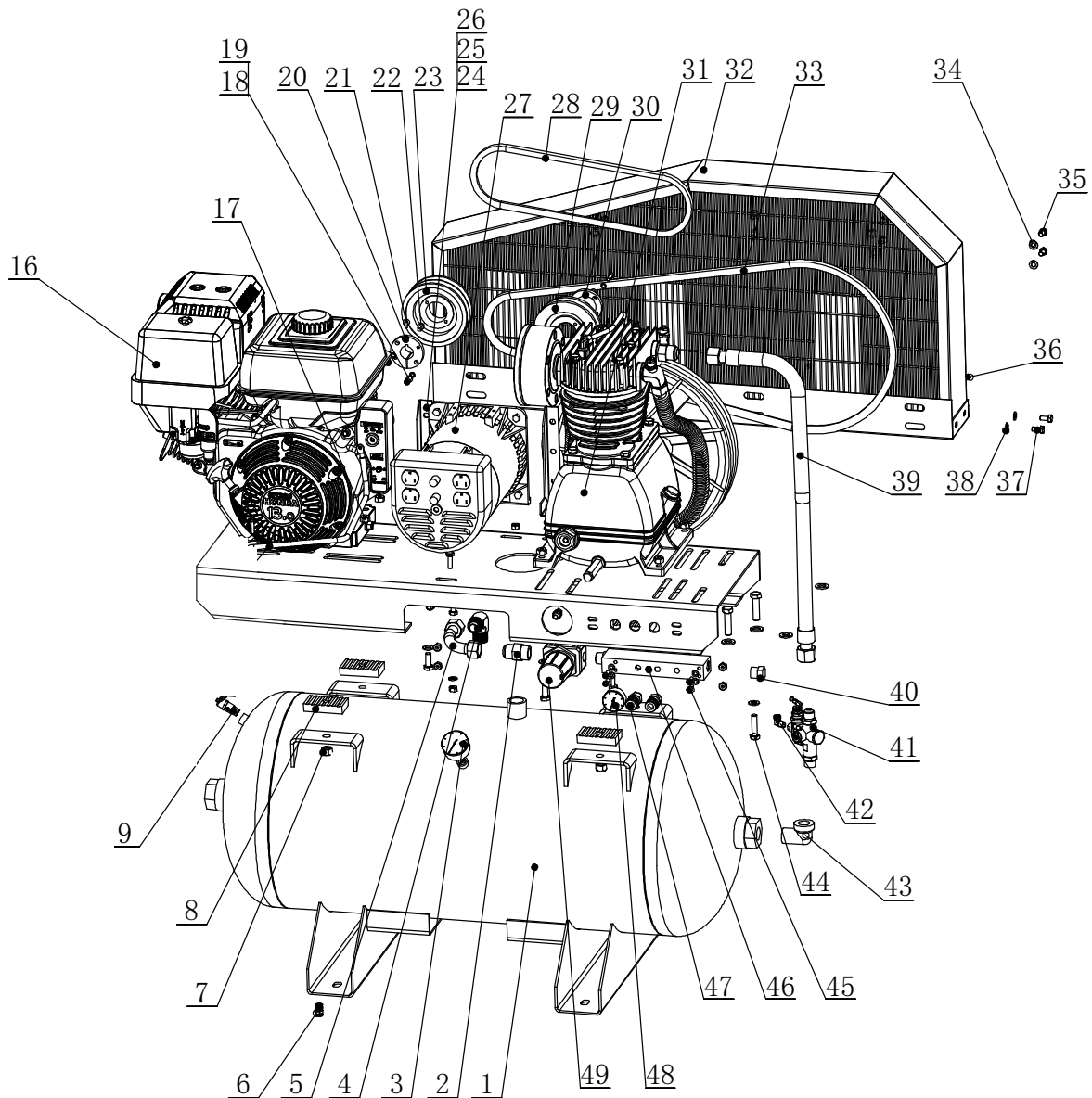


REF #	DESCRIPTION	QTY	BE PART #
3	TANK PRESSURE GAUGE	1	42.004.031
5	FLEX LINE	1	42.005.081
6	TANK DRAIN VALVE	1	42.006.041
9	SAFETY RELIEF VALVE	1	42.010.028
41	PILOT UNLOADER VALVE	1	42.010.025
46	MANIFOLD	1	42.005.090
47	BRASS COUPLER	1	42.000.046
49	PRESSURE REGULATING VALVE	1	42.005.080

## COMPLETE PUMP TANK ASSEMBLY

42.005.063

(DOES NOT INCLUDE ENGINE)



### LH4T PUMP

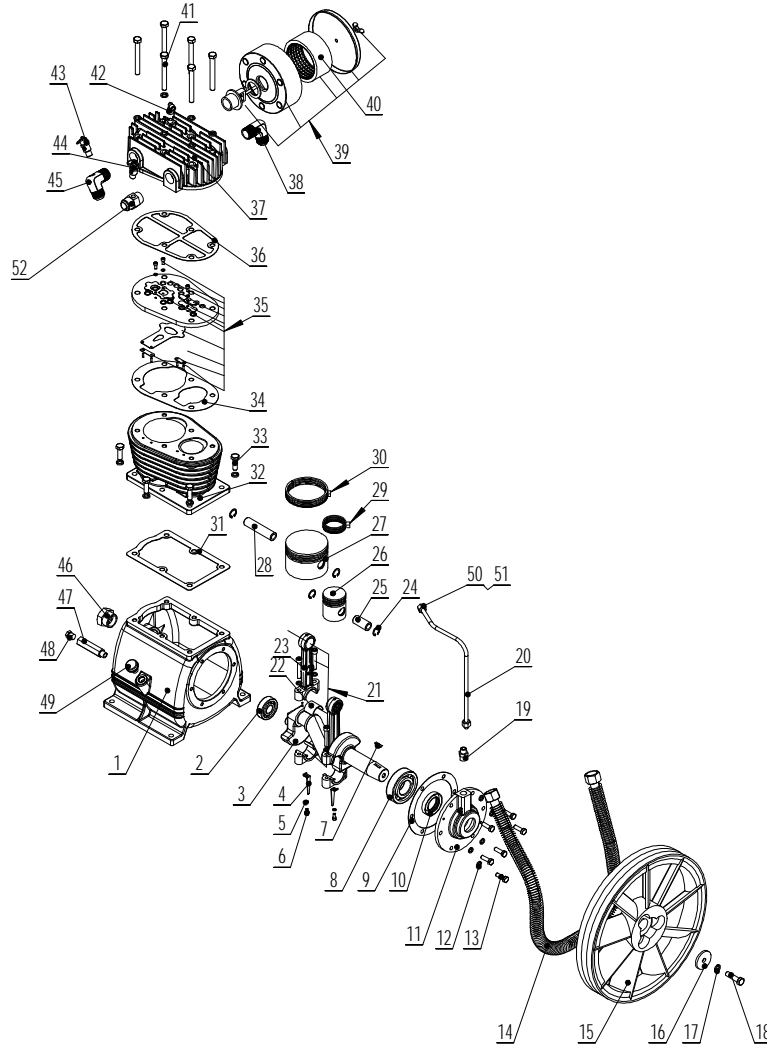
\*CURRENT STYLE:

42.005.139

(SINGLE BELT PULLEY)

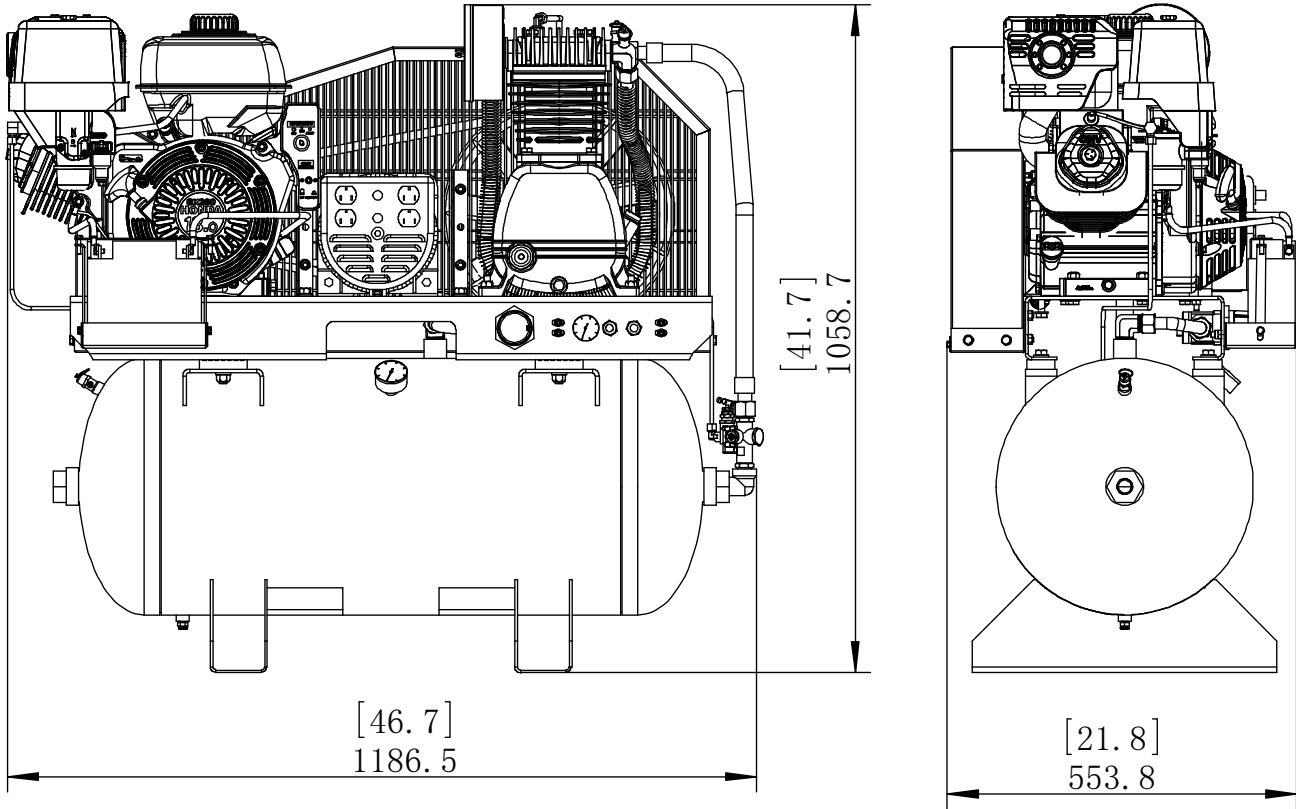
\*\*OLD STYLE: 42.005.113

(TWIN BELT PULLEY)



REF #	DESCRIPTION	QTY	BE PART #
9,10,31,34,35,37	GASKET ASSEMBLY	1	42.005.115
14	INTERCOOLER TUBE	1	42.005.140
*15-18	FLYWHEEL ASSEMBLY (CURRENT STYLE)	1	42.005.138
**15-18	FLYWHEEL ASSEMBLY (OLD STYLE)	1	42.005.114
20	BREATHER TUBE, INCLUDES NUT AND FERRULE	1	42.005.118
29,30	PISTON RING ASSEMBLY	1	42.005.117
36	VALVE ASSEMBLY SET	1	42.005.116
39	AIR FILTER ASSEMBLY	1	42.005.052
40	AIR FILTER ELEMENT	1	42.005.028
46	SIGHT GLASS	1	42.005.109
47,48	OIL DRAIN WITH PLUG	1	42.005.120
49	OIL CAP	1	42.005.110

### DIMENSIONS



DIMENSION	MEASUREMENT	QTY
LENGTH	INCHES	46.7
	MILLIMETERS	1186.5
WIDTH	INCHES	21.8
	MILLIMETERS	553.8
HEIGHT	INCHES	41.7
	MILLIMETERS	1058.7

\*SHOWN WITH OPTIONAL BATTERY KIT INSTALLED

DESCRIPTION	QTY	BE PART #
LITHIUM-ION BATTERY	1	85.573.108
BATTERY BOX AND BRACKET	1	85.603.005
BATTERY CABLE, 10 GAUGE, RED	1	85.603.009
BATTERY CABLE, 10 GAUGE, BLACK	1	85.603.010
BATTERY TERMINAL RING, 1/4"	4	85.504.006
BATTERY TERMINAL COVER, RED	1	85.504.029
BATTERY TERMINAL COVER, BLACK	1	85.504.030



---

If you need technical assistance call:

**1-866-850-6662**

(8:00am - 4:30pm PST, Mon - Fri)