



# PARTS BREAKDOWN

## 3" TRASH PUMP

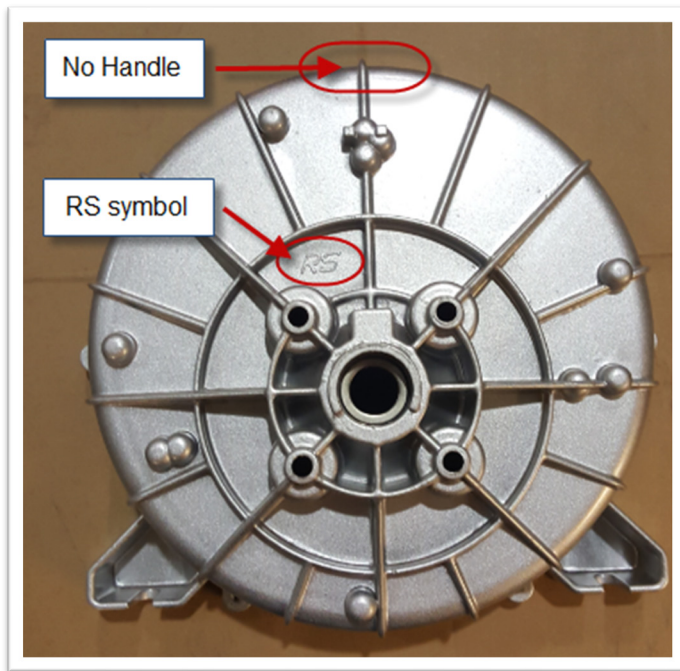
MODEL:MCW37RT



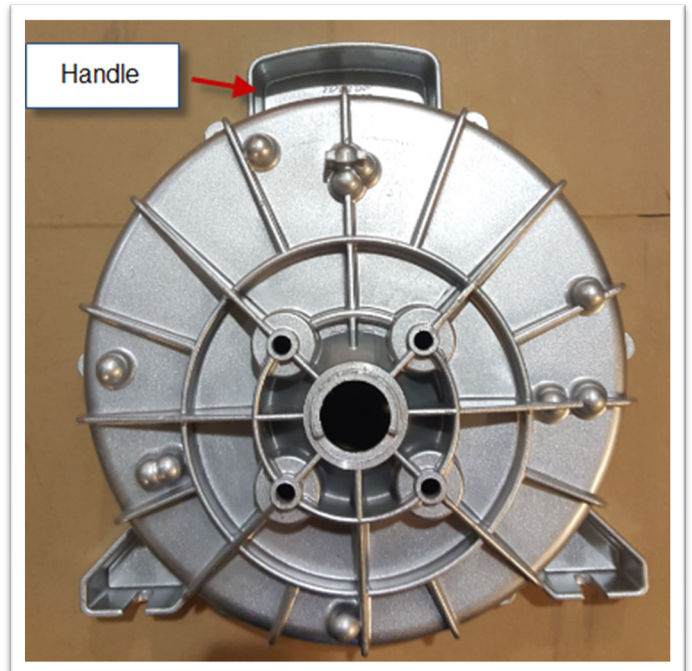
### PRODUCT IDENTIFICATION

THE PUMP BODY CHANGED IN 2019.  
LOCATE IDENTIFYING MARKS ON PUMP BODY JOINT TO  
ENSURE CORRECT PARTS ARE ORDERED.

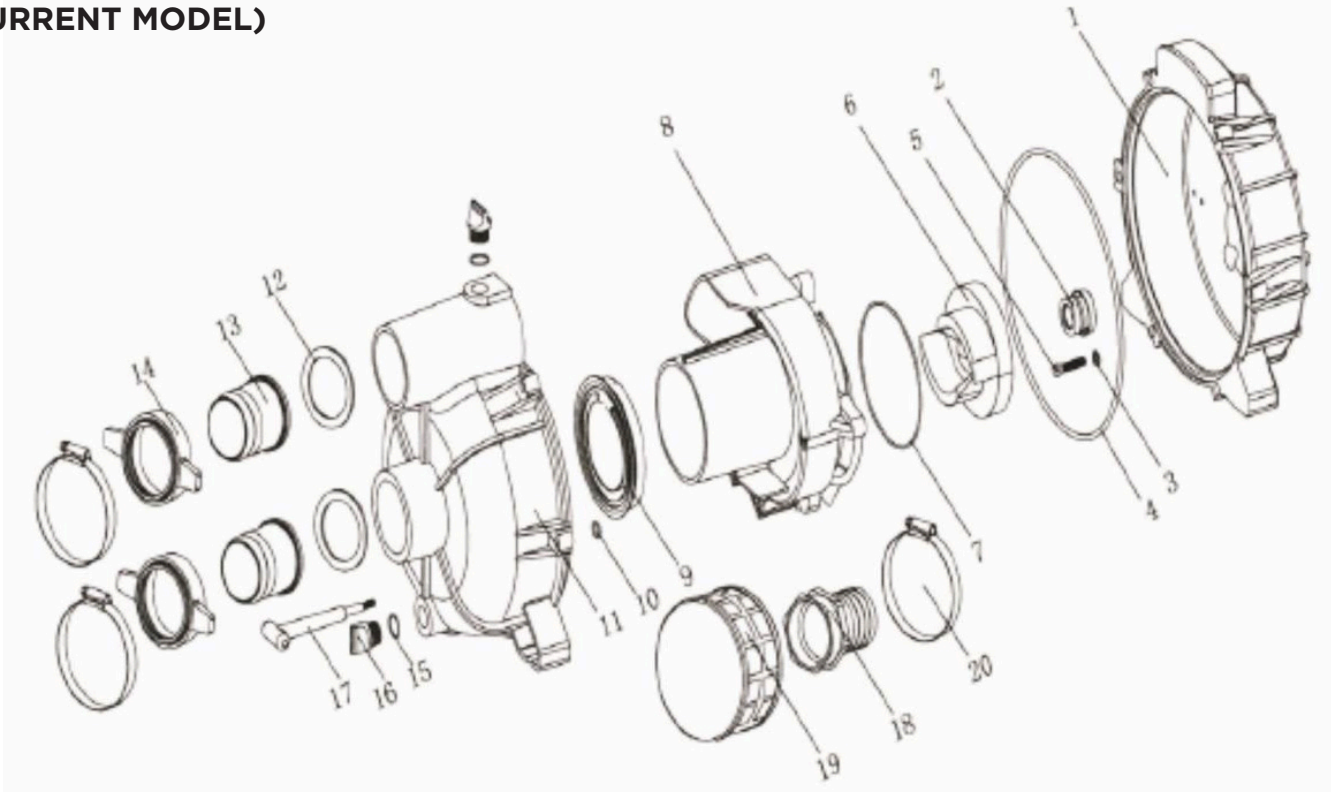
**'RS' TYPE - CURRENT MODEL**



**'T' TYPE - DISCONTINUED 2019**

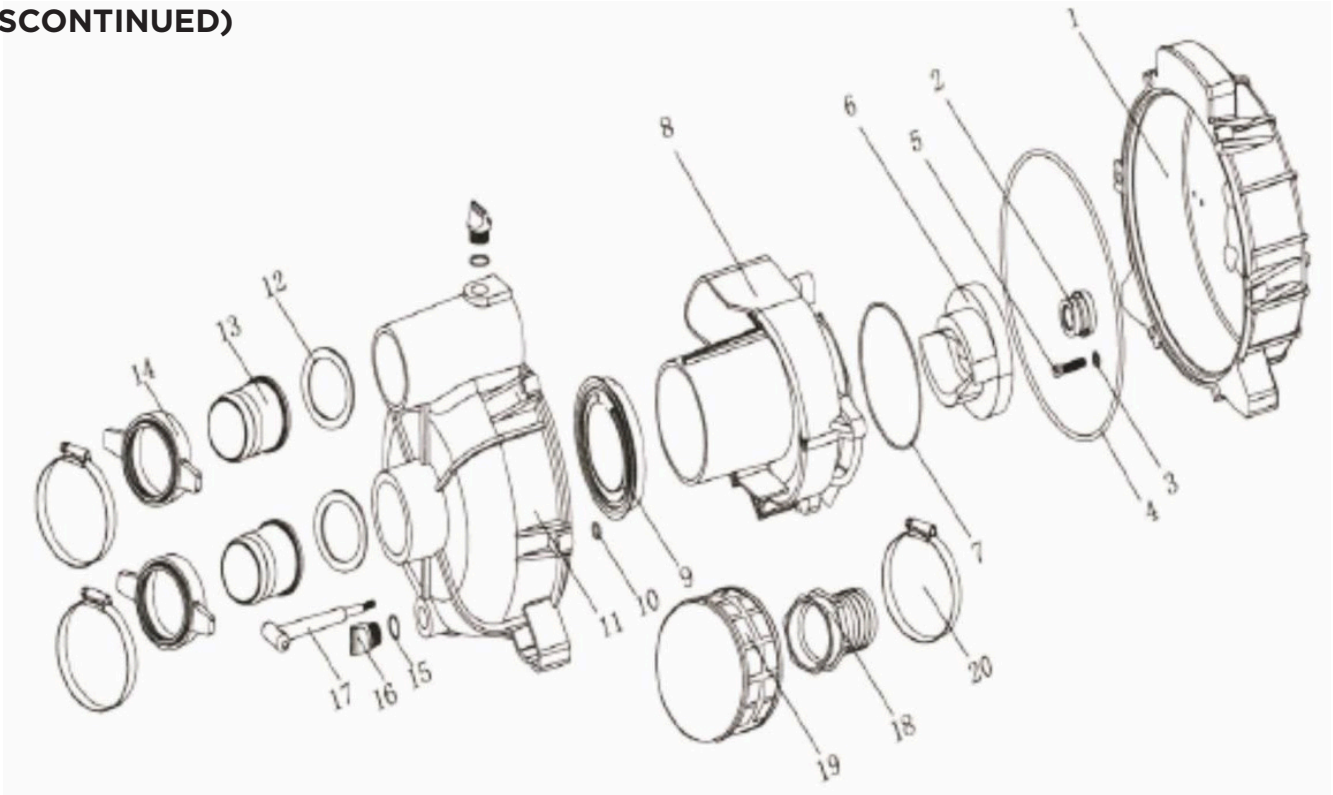


**PUMP ASSEMBLY 'RS' TYPE  
(CURRENT MODEL)**



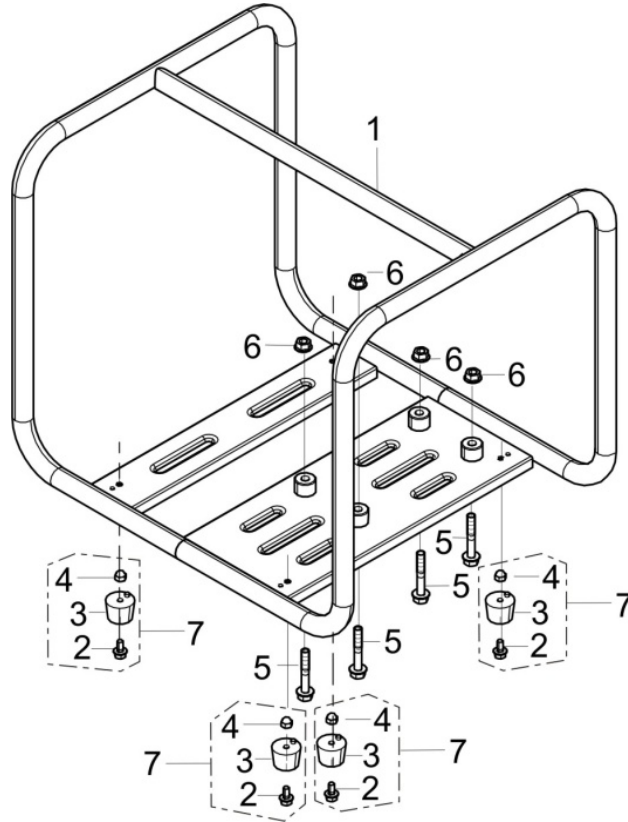
REF #	DESCRIPTION	QTY	BE PART #
1	WATER PUMP JOINT (RS TYPE)	1	50.103.204
2	MECHANICAL SEAL ASSEMBLY	1	50.103.202
4	WATER PUMP JOINT CUSHION	1	
7	WHORL CASE SEALING RING	1	
9	INLET WATER GASKET	1	
10	GASKET	6	
6	IMPELLER	1	50.103.201
8	WHORL CASE	1	50.103.206
11	PUMP BODY	1	50.103.207
15	DRAIN PLUG WASHER	1	50.103.203
16	DRAIN PLUG	1	
17	T-BOLT	6	50.103.208
18	SUCTION HOSE INTERFACE	1	50.103.205
19	STRAINER	1	
**	COMPLETE PUMP AND FRAME ASSEMBLY	1	85.150.213

**PUMP ASSEMBLY 'T' TYPE  
(DISCONTINUED)**



REF #	DESCRIPTION	QTY	BE PART #
1	WATER PUMP JOINT (RS TYPE)	1	50.103.204T
2	MECHANICAL SEAL ASSEMBLY	1	50.103.202T
4	WATER PUMP JOINT CUSHION	1	
7	WHORL CASE SEALING RING	1	
9	INLET WATER GASKET	1	
10	GASKET	6	
6	IMPELLER	1	50.103.201
8	WHORL CASE	1	50.103.206
11	PUMP BODY	1	50.103.207
15	DRAIN PLUG WASHER	1	50.103.203
16	DRAIN PLUG	1	
17	T-BOLT	6	50.103.208
18	SUCTION HOSE INTERFACE	1	50.103.205
19	STRAINER	1	

**FRAME ASSEMBLY**



REF #	DESCRIPTION	QTY	BE PART #
2	BOLT	4	50.002.205
3	ENGINE FRAME SHOCK ABSORPTION SEAT	4	
4	ACORN NUT	4	

**\*CHECK WITH HONDA FOR ENGINE BREAKDOWN AND PARTS**



---

If you need technical assistance call:

**1-866-850-6662**

(8:00am - 4:30pm PST, Mon - Fri)