



# PARTS BREAKDOWN

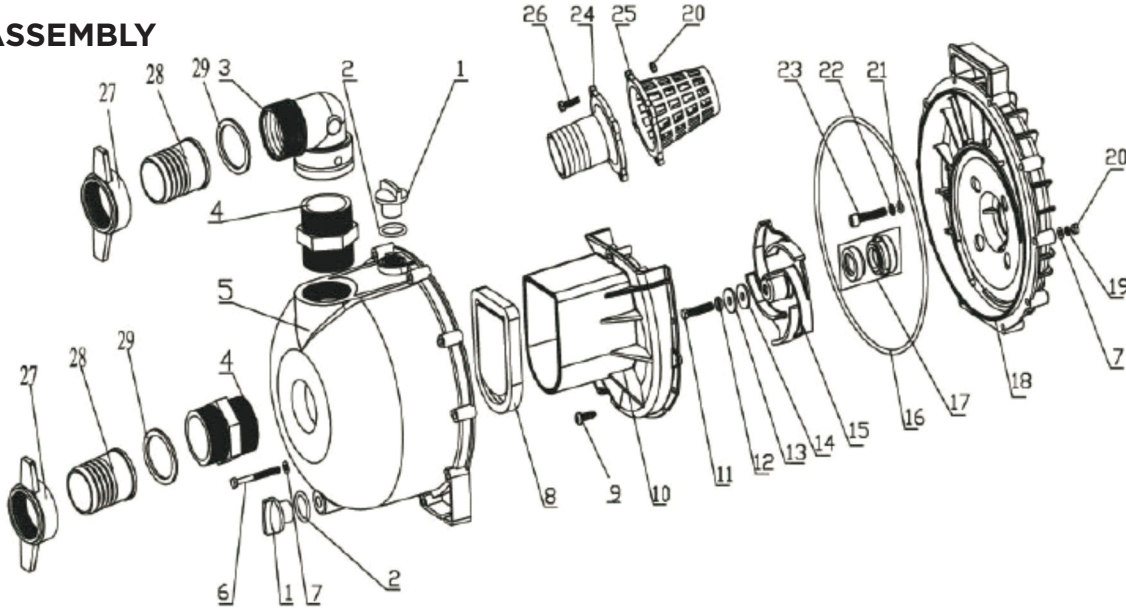
## 2" CHEMICAL PUMP

MODEL:MCW27RN

---

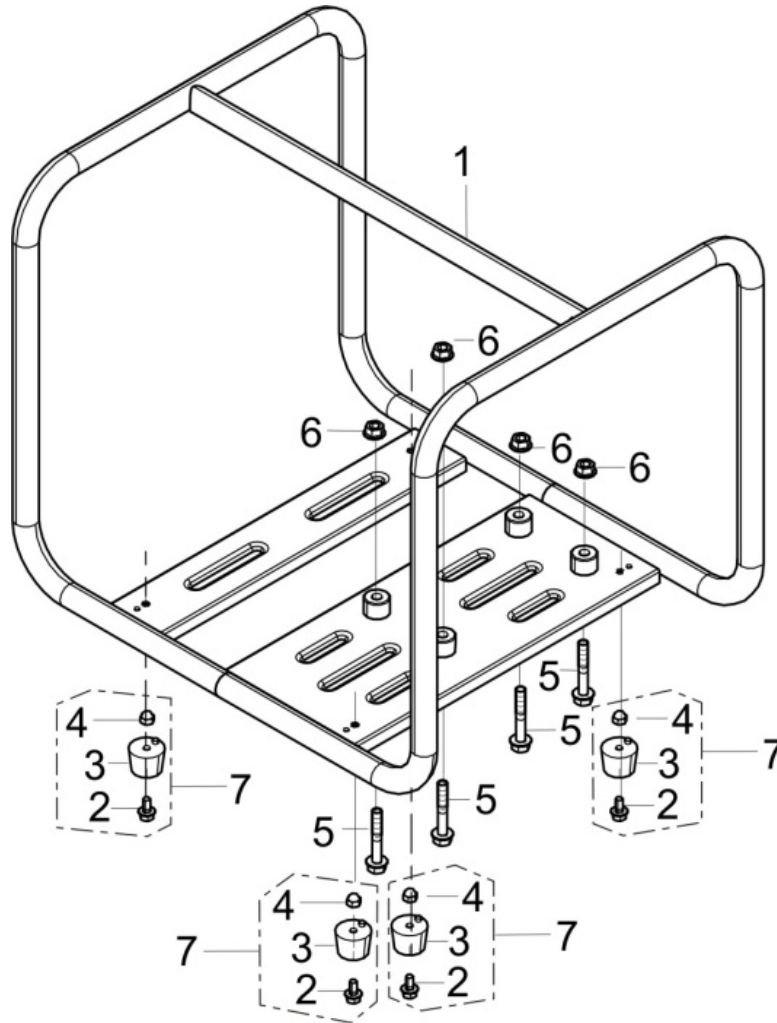


**PUMP ASSEMBLY**



REF #	DESCRIPTION	QTY	BE PART #
1	THREAD PLUG	2	50.001.021
2	SCREW PLUG WASHER	2	
3	WATER OUTLET	1	85.571.161
4	WATER INLET	2	85.571.168
5	PUMP BODY	1	
8	WATER INLET GASKET	1	85.571.162
12-14	WASHER	1	
16	WATER PUMP JOINT CUSHION	1	
17	MECHANISM SEAL ASSY	1	
	PORCELAIN SEAL	1	85.571.169
	IMPELLER SEAL RING	1	
6	BOLT	10	
7	FLAT WASHER	20	85.571.169
9	SCREW	2	
14	WASHER	1	
13	WASHER	1	
12	WASHER	1	
11	SCREW	1	
19	WASHER	10	
20	NUT	14	
21	WASHER	4	
22	WASHER	4	
23	SCREW	4	

**FRAME ASSEMBLY**



REF #	DESCRIPTION	QTY	BE PART #
2	Bolt	4	50.002.205
3	Engine Frame Shock Absorption Seat	4	
4	Acorn Nut	4	

**\*REFER TO THE POWEREASE 225 FOR ENGINE BREAKDOWN AND ENGINE PARTS**



---

If you need technical assistance call:

**1-866-850-6662**

(8:00am - 4:30pm PST, Mon - Fri)