



PARTS BREAKDOWN

1" WATER PUMP

MODEL:MCW125R

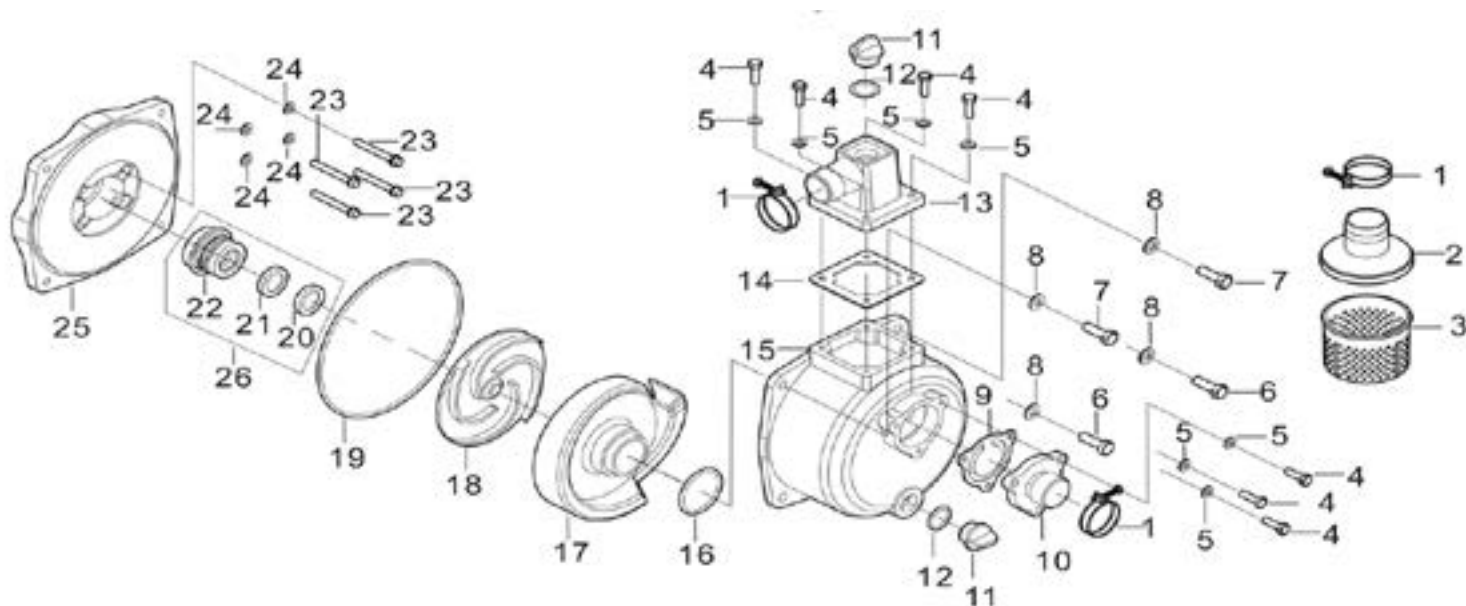


PARTS BREAKDOWN

1" WATER PUMP

MODEL:MCW125R

WATER PUMP ASSEMBLY



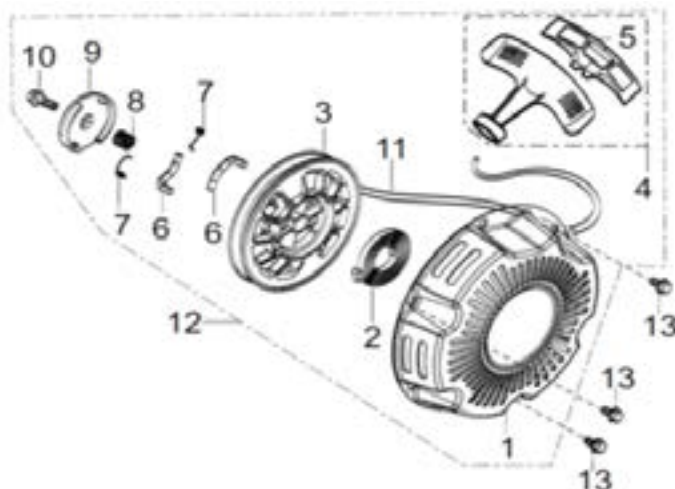
REF #	DESCRIPTION	QTY	BE PART #
2	FILTER COVER	1	50.001.307
3	FILTER	1	
11	PLUG	2	50.001.202
12	PLUG WASHER	2	
10	INLET, WATER	1	50.001.201
13	OUTLET, WATER	1	
15	PUMP BODY	1	85.571.045
17	WHORL CASE	1	85.571.046
18	IMPELLER	1	50.001.204
9	GASKET, INLET WATER	1	50.001.203
14	GASKET, OUTLET	1	
16	RING, WHORL CASE SEAL	1	
19	SEAL, WATER PUMP JOINT	1	
20	SEAL, IMPELLER	1	
21	SEAL, PORCELAIN	1	
22	SEAL ASSEMBLY, MECHANICAL	1	85.571.047
25	JOINT, WATER PUMP	1	
**	COMPLETE PUMP ASSEMBLY	1	85.150.200

PARTS BREAKDOWN

1" WATER PUMP

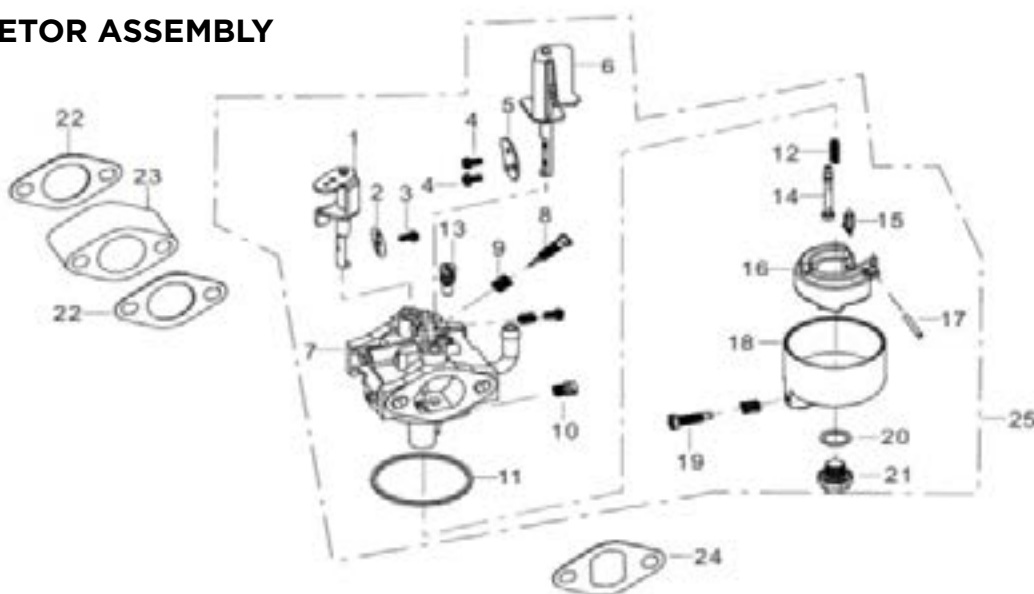
MODEL:MCW125R

ENGINE RECOIL ASSEMBLY



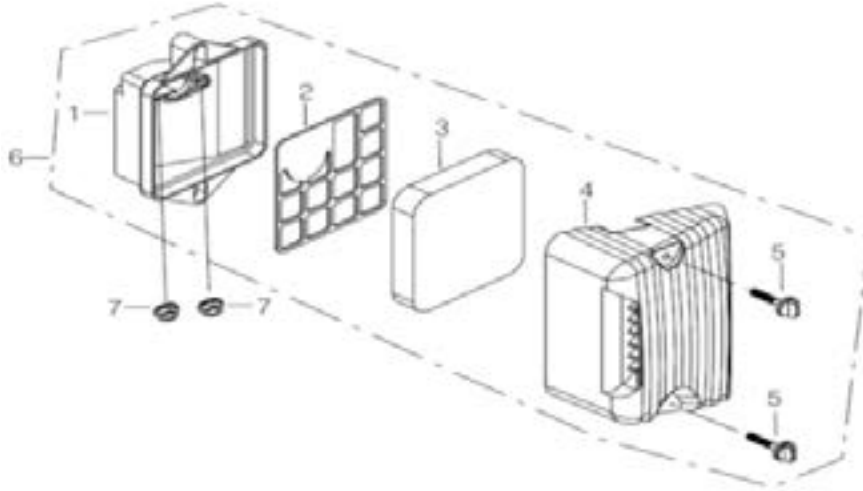
REF #	DESCRIPTION	QTY	BE PART #
12	RECOIL ASSEMBLY	1	85.571.115

CARBURETOR ASSEMBLY



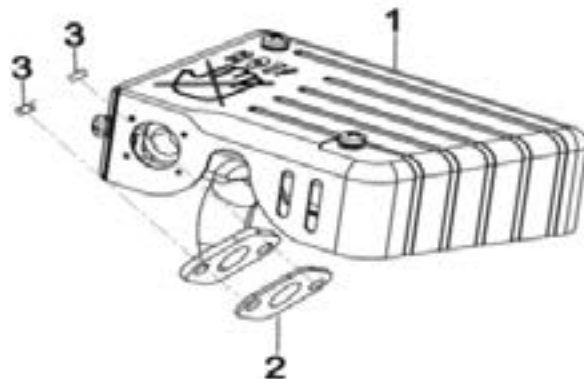
REF #	DESCRIPTION	QTY	BE PART #
22	GASKET	2	50.001.301
23	INSULATOR PLATE	1	
24	GASKET, AIR CLEANER SIDE	1	
25	CARBURETOR ASSEMBLY	1	

AIR FILTER ASSEMBLY



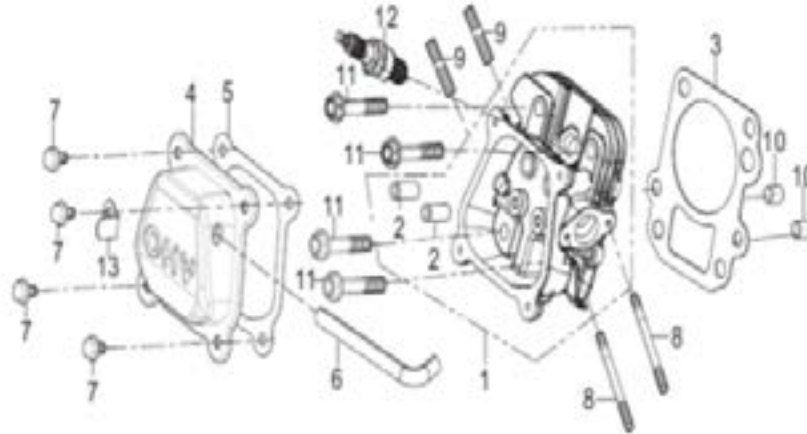
REF #	DESCRIPTION	QTY	BE PART #
6	AIR FILTER ASSEMBLY	1	50.001.302

MUFFLER ASSEMBLY



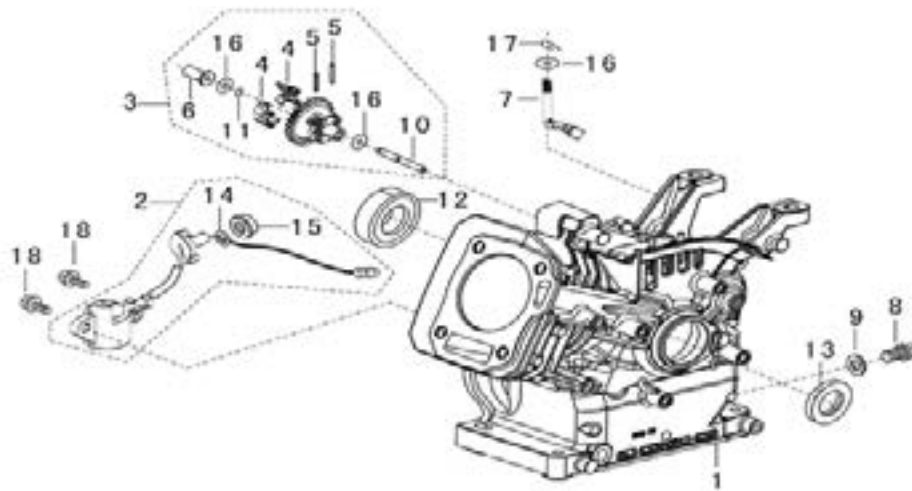
REF #	DESCRIPTION	QTY	BE PART #
1	MUFFLER ASSEMBLY	1	50.001.303

HEAD SUBASSEMBLY



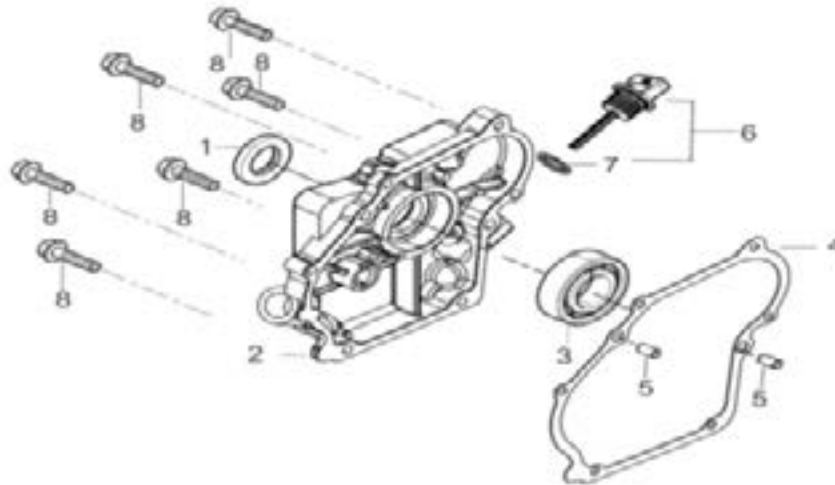
REF #	DESCRIPTION	QTY	BE PART #
12	SPARK PLUG	1	85.571.125

CRANKCASE



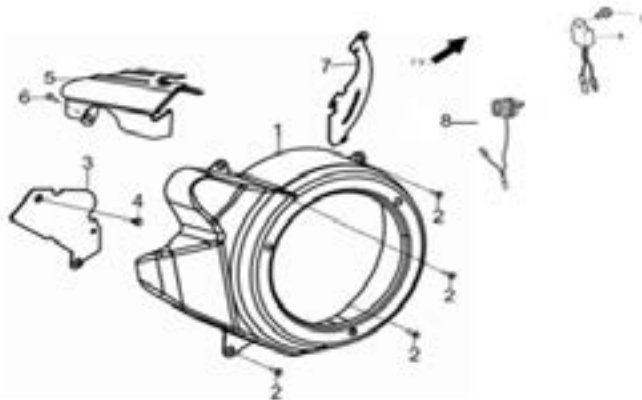
REF #	DESCRIPTION	QTY	BE PART #
2	OIL SENSOR	1	85.571.003

CRANK COVER SUBASSEMBLY



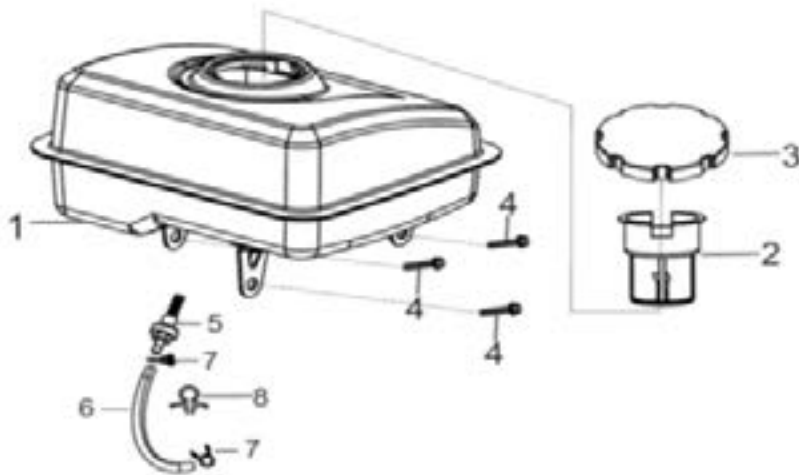
REF #	DESCRIPTION	QTY	BE PART #
6	DIPSTICK	1	85.571.114
7	SEAL	1	

SHROUD



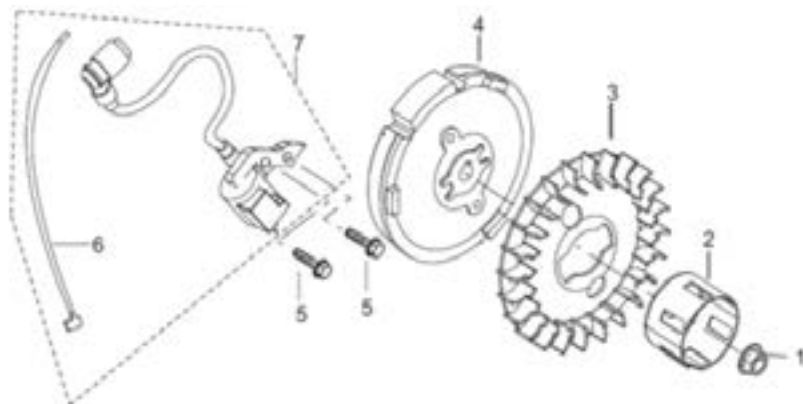
REF #	DESCRIPTION	QTY	BE PART #
8	ON/OFF SWITCH	1	85.571.310

FUEL TANK



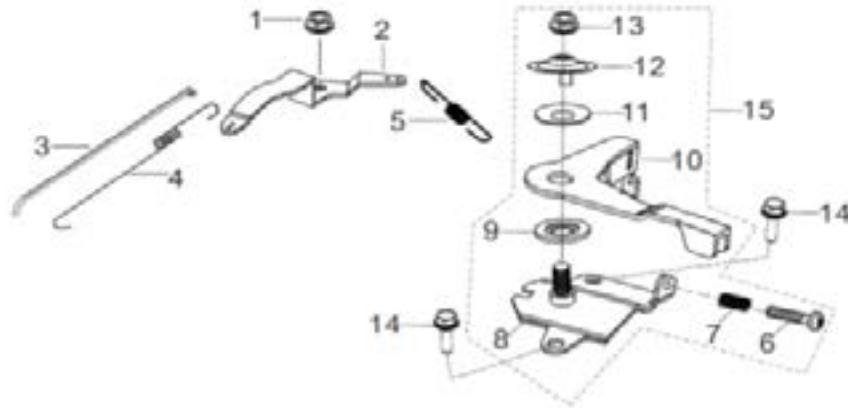
REF #	DESCRIPTION	QTY	BE PART #
1	FUEL TANK	1	85.571.114
2	FUEL STRAINER	1	50.001.305
3	FUEL CAP	1	
5	FUEL OUTLET	1	85.571.042
6	FUEL LINE	1	
7	CLIP	1	

IGNITION COIL



REF #	DESCRIPTION	QTY	BE PART #
7	IGNITION COIL	1	85.571.122

THROTTLE CONTROL ASSEMBLY



REF #	DESCRIPTION	QTY	BE PART #
3	GOVERNOR ROD	1	50.001.306
4	THROTTLE SPRING	1	



If you need technical assistance call:

1-866-850-6662

(8:00am - 4:30pm PST, Mon - Fri)