

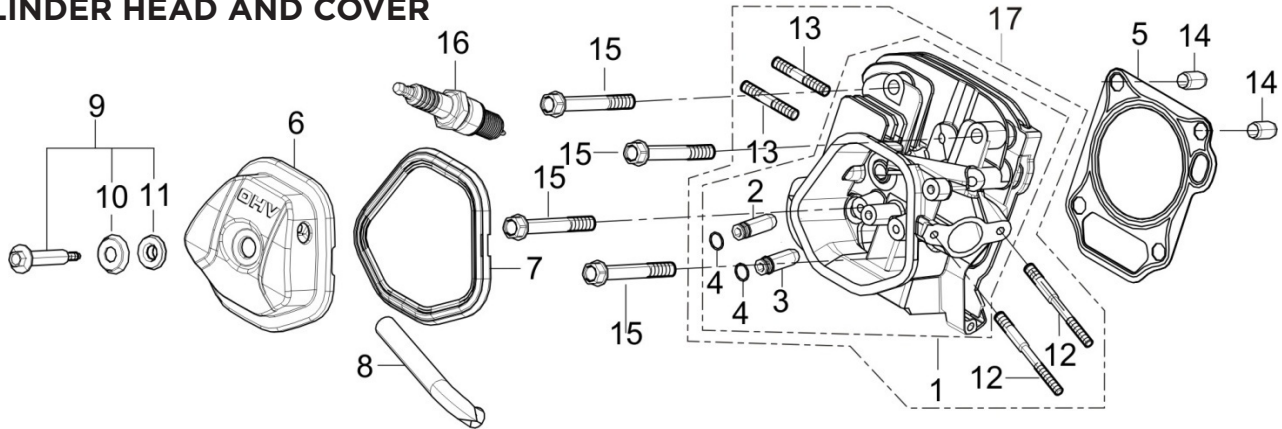


PARTS BREAKDOWN GENERATOR

MODEL:MC9000ER

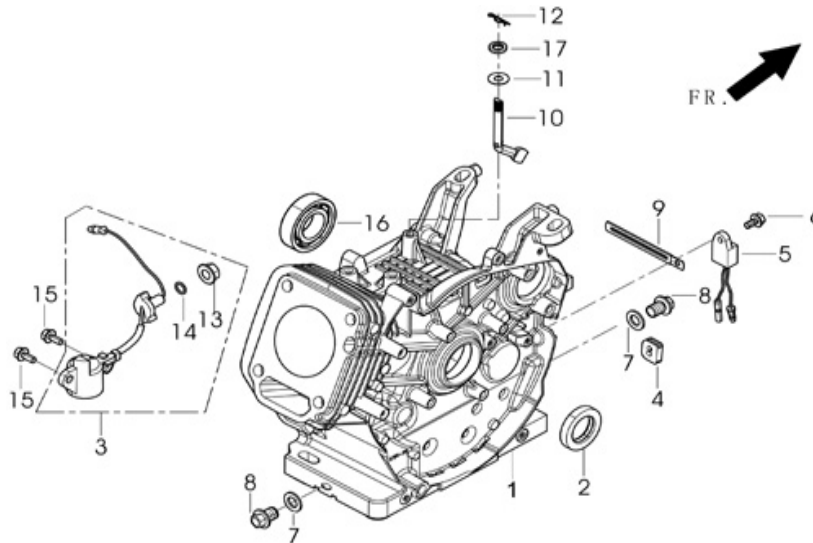


CYLINDER HEAD AND COVER



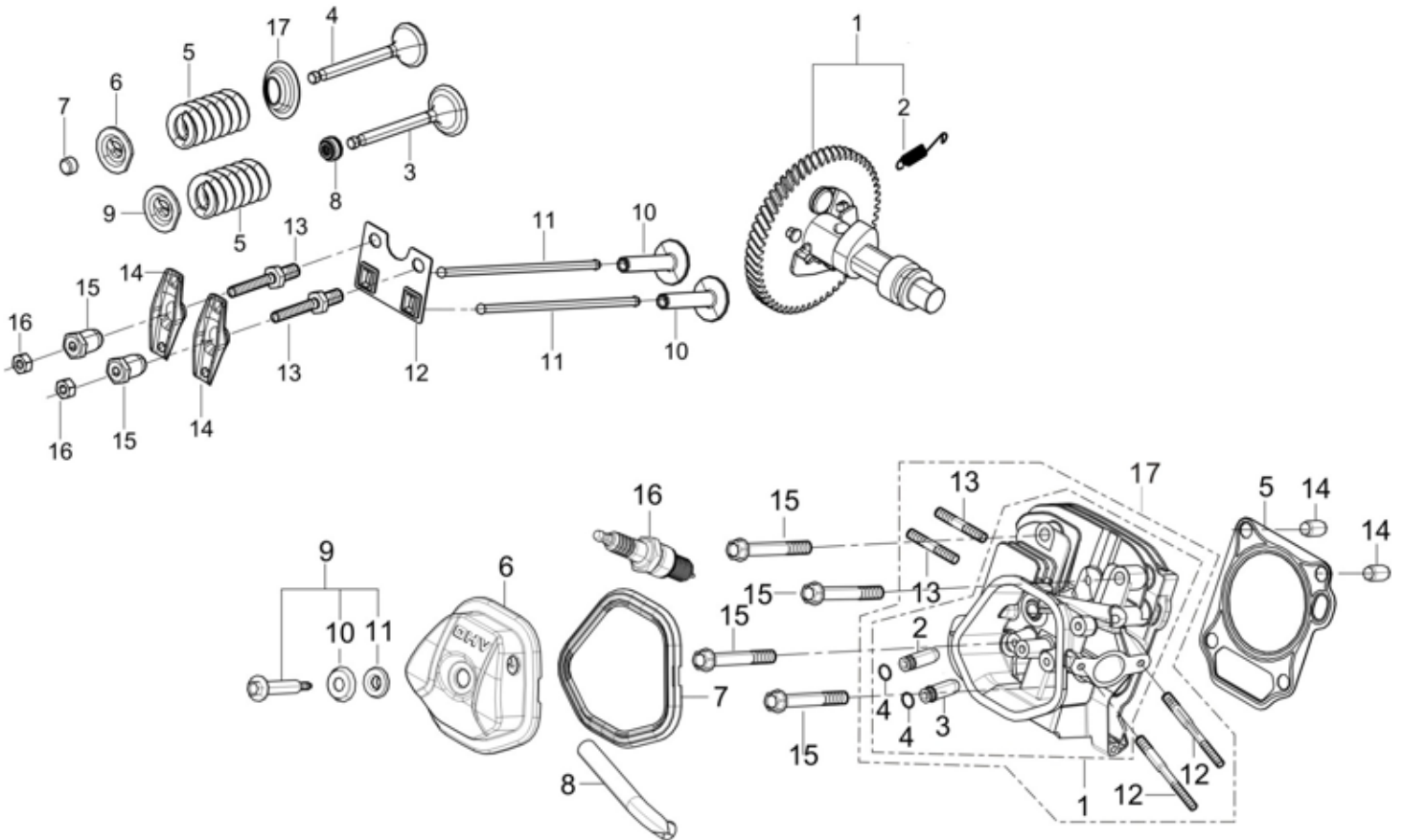
REF #	DESCRIPTION	QTY	BE PART #
5	CYLINDER HEAD GASKET	1	85.571.021
6	COVER SUBASSEMBLY	1	85.571.022
7	CYLINDER HEAD COVER GASKET	1	
16	SPARK PLUG	1	85.519.001

CRANKCASE



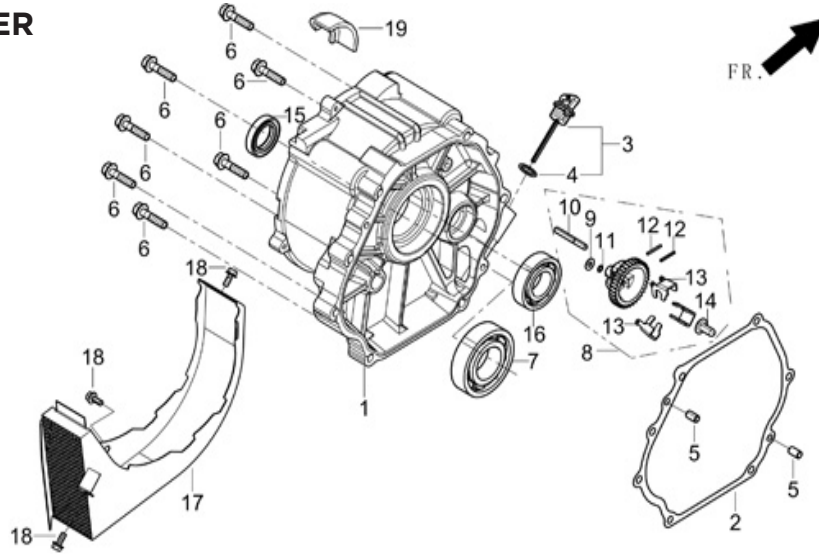
REF #	DESCRIPTION	QTY	BE PART #
3	OIL SENSOR	1	85.571.003
5	OIL ALERT	1	

CYLINDER HEAD AND CAM SHAFT



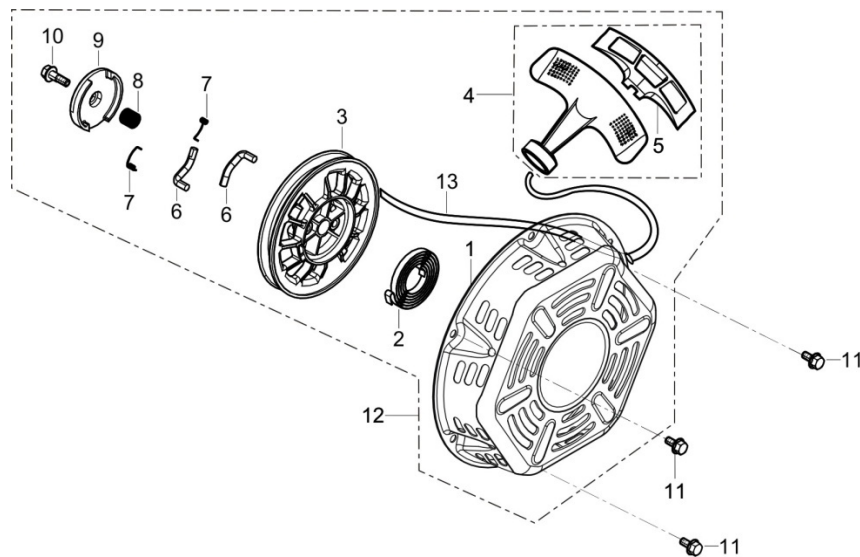
REF NO.	DESCRIPTION	QTY	PART NO.
ALL NUMBERS	COMPLETE CYLINDER HEAD & CAM SHAFT ASSEMBLY	1	85.571.039

CRANKCASE COVER



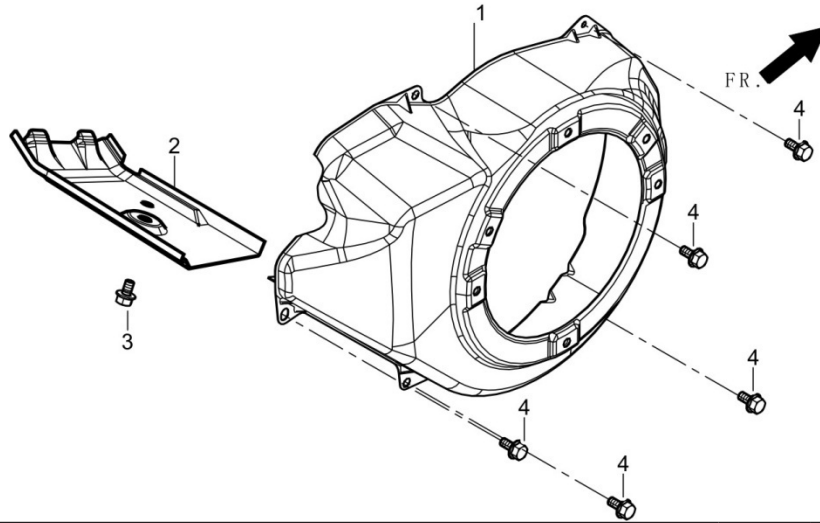
REF NO.	DESCRIPTION	QTY	PART NO.
3	OIL DIPSTIC	1	85.571.020
2	CRANKCASE GASKET	1	85.571.341
15	OIL SEAL	1	

STARTER



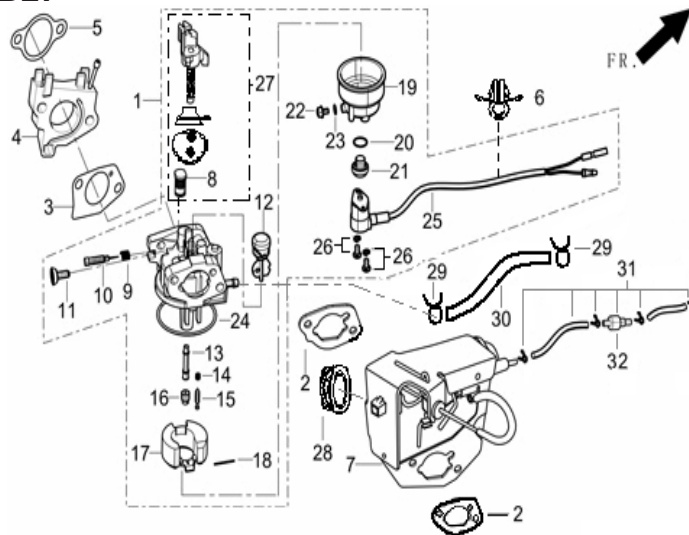
REF NO.	DESCRIPTION	QTY	PART NO.
12	RECOIL ASSEMBLY	1	85.571.026

SHROUD



REF NO.	DESCRIPTION	QTY	PART NO.
1	SHROUD (YELLOW)	1	85.571.107

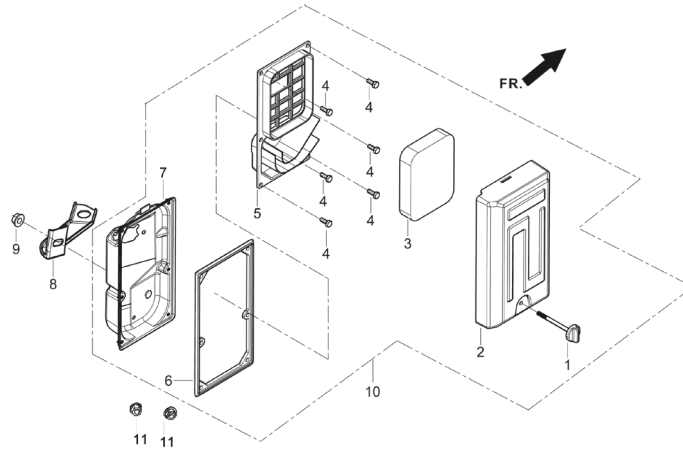
CARBURETOR ASSEMBLY



REF NO.	DESCRIPTION	QTY	PART NO.
1	CARBURETOR ASSEMBLY	1	85.571.257
2	GASKET, AIR CLEANER	2	
3	GASKET, CARBURETOR	1	
4	PLATE, CARBURETOR INSULATOR	1	
5	GASKET, INLET	1	
7	CHOKE CONTROL ASSEMBLY	1	85.571.248
30	VALVE, ONE WAY	1	
*	HIGH ALTITUDE JET KIT, 3-6K FEET	1	85.571.246
*	HIGH ALTITUDE JET KIT, 6-8K FEET	1	85.571.247

*REPLACES ORIGINAL JET TO ALLOW OPERATION AT HIGHER ALTITUDE

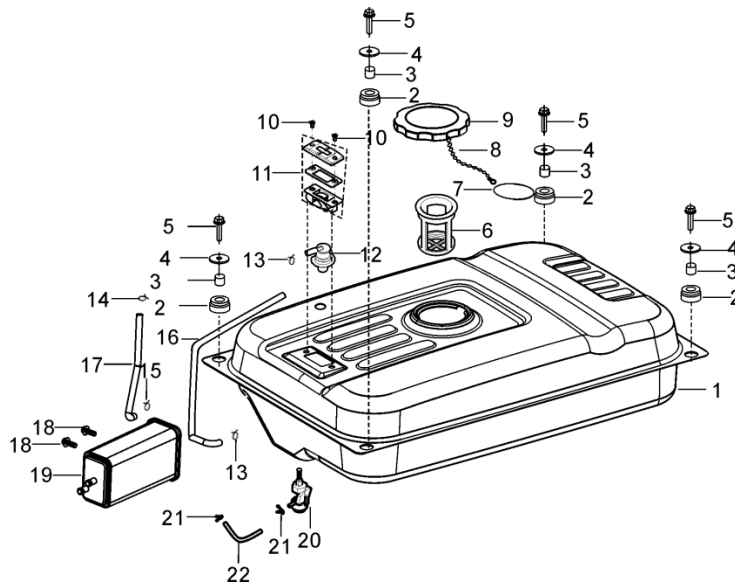
AIR FILTER



REF NO.	DESCRIPTION	QTY	PART NO.
10	AIR FILTER ASSEMBLY, EPA/CARB	1	85.571.258
10	*OLD STYLE AIR FILTER , NON-EPA/CARB	1	85.571.071

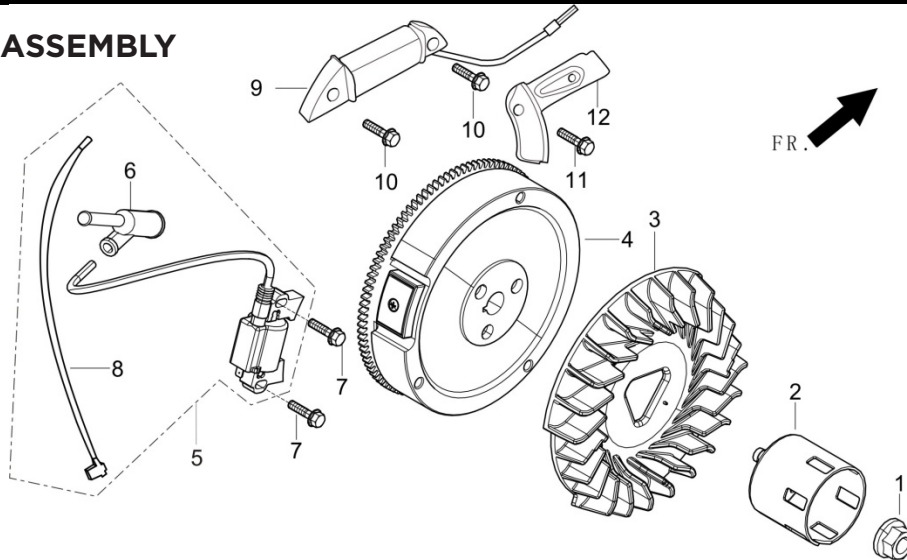
*OLD STYLE AIR FILTER DOES NOT HAVE HOSE BARB IN ITS BACK

FUEL TANK



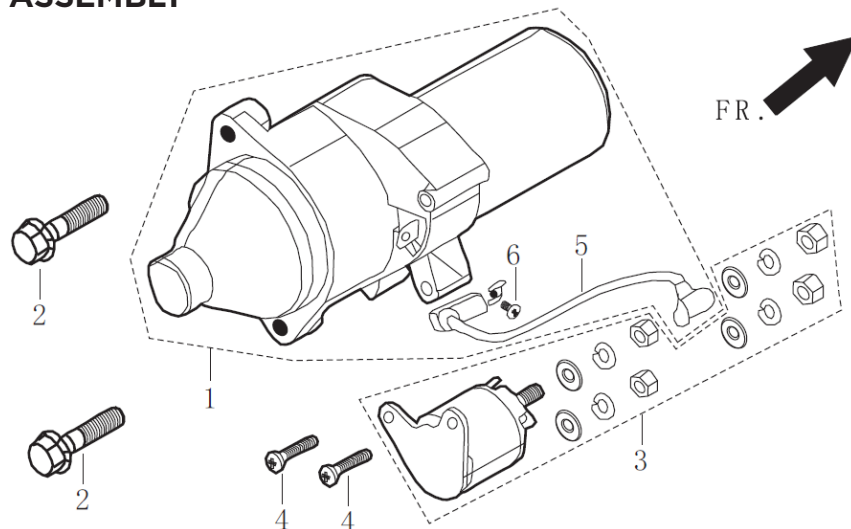
REF NO.	DESCRIPTION	QTY	PART NO.
1	FUEL TANK (NO DECALS/BRANDING)	1	85.571.072
9	FUEL TANK CAP	1	85.571.074
11	FUEL GAUGE	1	85.571.054
19	CARB CANNISTER	1	85.571.130
20	FUEL VALVE ASSEMBLY	1	85.571.104
21	CLAMP	2	
22	TUBE	1	

FLYWHEEL SUBASSEMBLY



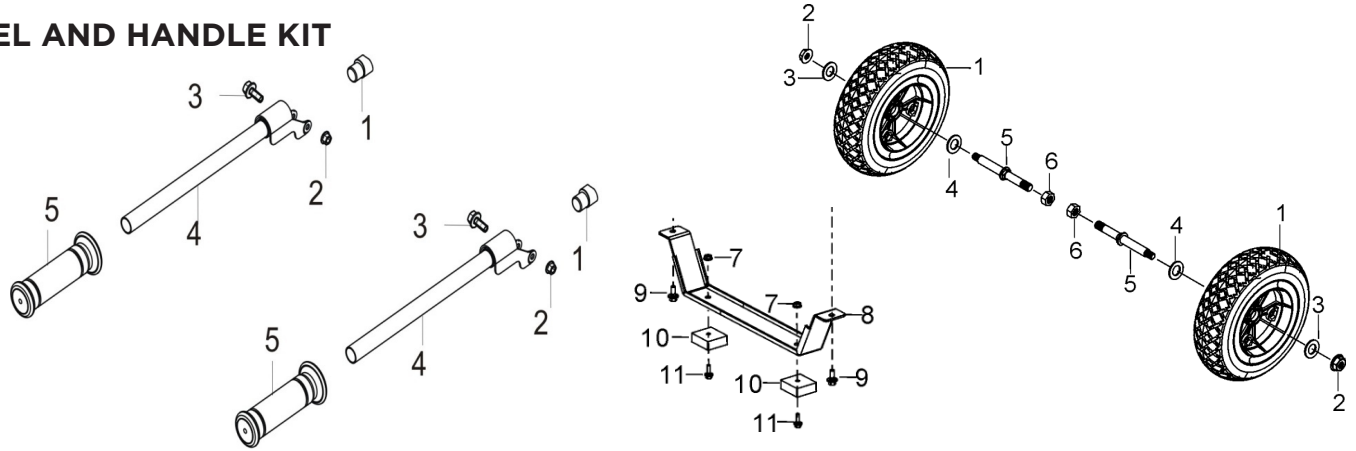
REF NO.	DESCRIPTION	QTY	PART NO.
3	IMPELLER	1	85.571.086
4	FLYWHEEL SUBASSEMBLY	1	85.571.085
5	IGNITION COIL	1	85.571.032
9	CHARGE COIL SUBASSEMBLY	1	85.571.075

MOTOR STARTER ASSEMBLY



REF NO.	DESCRIPTION	QTY	PART NO.
1	STARTER MOTOR ASSEMBLY	1	85.571.076

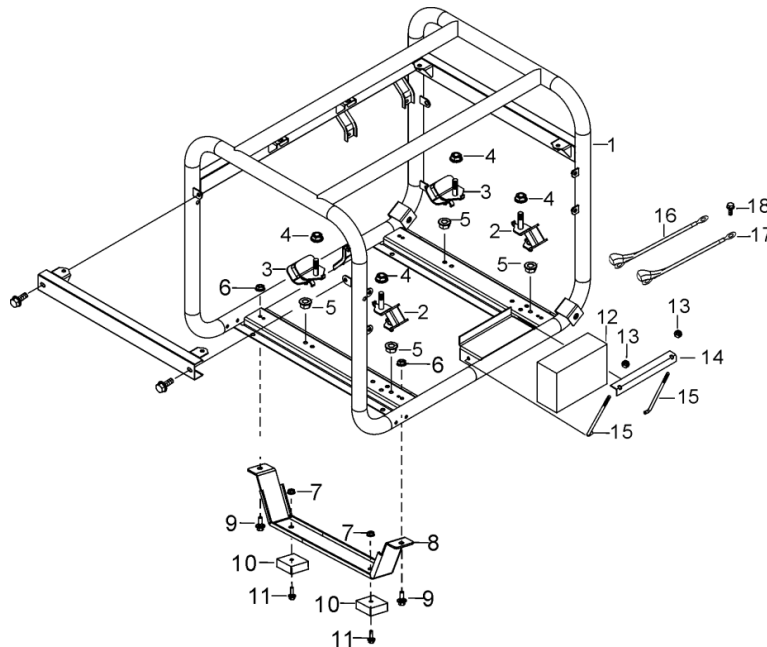
WHEEL AND HANDLE KIT



REF NO.	DESCRIPTION	QTY	PART NO.
1-11	WHEEL AND HANDLE ASSEMBLY	1	85.571.087
1-11*	*OLD STYLE WHEEL AND HANDLE ASSEMBLY (NOT SHOWN)	1	85.571.077

*OLD STYLE KIT HAS A FULL AXEL CONNECTING THE WHEELS TOGETHER

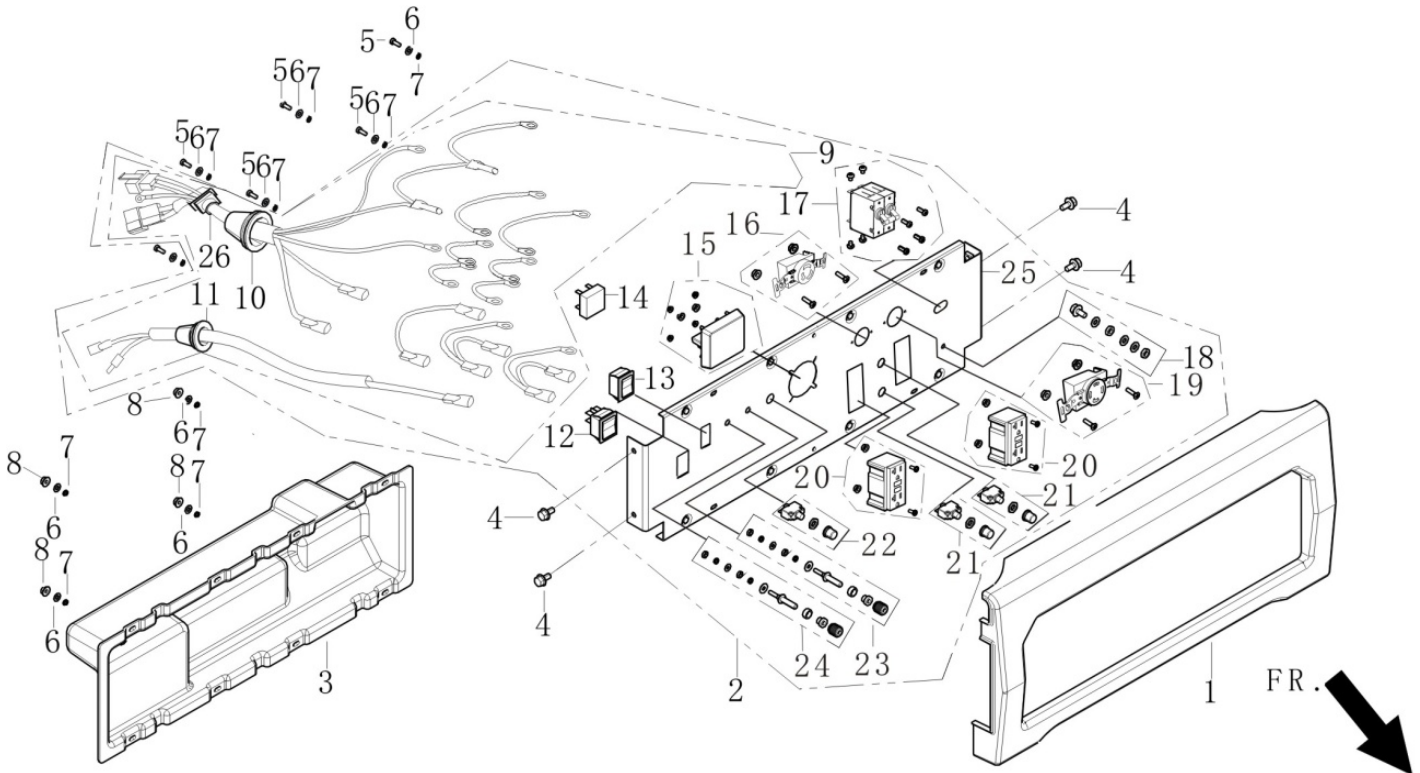
FRAME



REF NO.	DESCRIPTION	QTY	PART NO.
2	FORWARD FRAME CUSHION	2	85.571.078
3	REAR FRAME CUSHION	2	
12	LITHIUM-ION BATTERY	1	85.573.108
12-15	*LITHIUM-ION BATTERY BRACKET KIT	1	85.571.095LI

*BATTERY AND ACCESSORY KIT UPDATES OLDER LEAD-ACID BATTERY SET UP

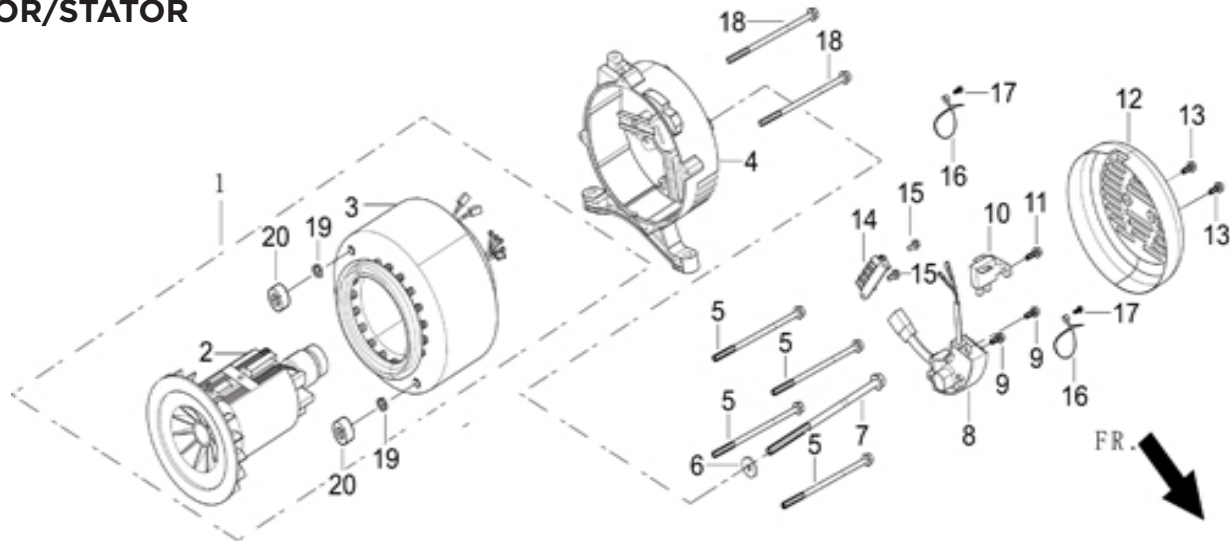
CONTROL PANEL ASSEMBLY



REF NO.	DESCRIPTION	QTY	PART NO.
2	CONTROL PANEL ASSEMBLY	1	85.571.091
12	ON/RUN/OFF SWITCH	1	85.571.105
13	AUTO THROTTLE SWITCH	1	85.571.106
NOT SHOWN	AUTO-IDLE SOLENOID ASSEMBLY	1	85.571.096
NOT SHOWN	*AUTO THROTTLE REPAIR SET	1	85.571.108
17	DOUBLE-POLE BREAKER	1	85.571.089
21	CIRCUIT BREAKER RESET SWITCH	1	
22	CIRCUIT BREAKER RESET SWITCH	1	
14	DC 12V LOCKPOINT PLUG	1	85.571.088
16	120/240V NEMA L5-30R TWIST LOCK PLUG	1	
19	240V NEMA L14-30R PLUG	1	
20	120V 20A NEMA 5-20R DUAL PLUG	3	

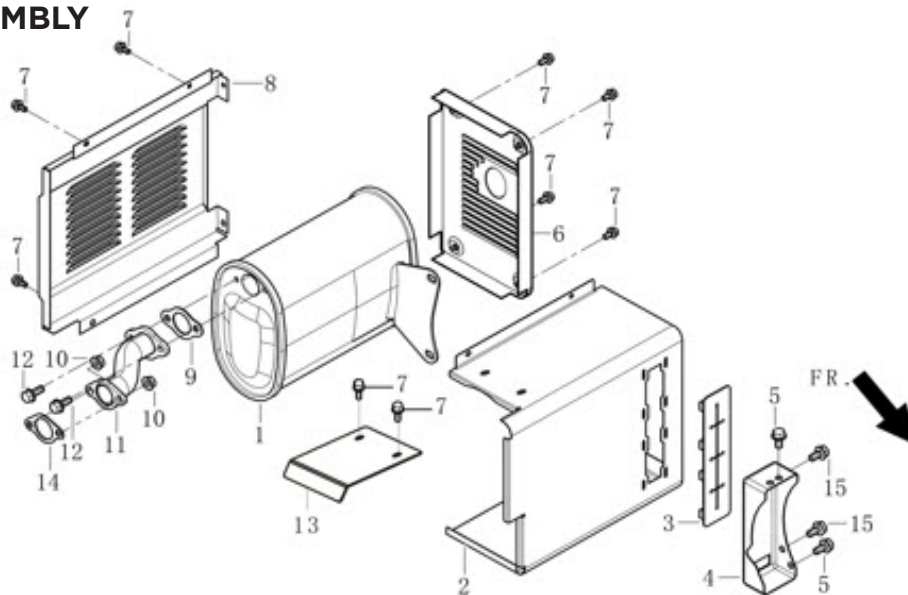
*INCLUDES AUTO THROTTLE SWITCH, AUTO IDLE SOLENOID ASSEMBLY, RELAY AND FUSE

ROTOR/STATOR



REF NO.	DESCRIPTION	QTY	PART NO.
1	MOTOR ASSEMBLY	1	85.571.092
4	MOTOR BRACKET	1	85.571.127
8	VOLTAGE REGULATOR	1	85.571.093
10	CARBON BRUSH SUBASSEMBLY	1	85.571.082

MUFFLER ASSEMBLY



REF NO.	DESCRIPTION	QTY	PART NO.
1-15	MUFFLER ASSEMBLY	1	85.571.098



If you need technical assistance call:

1-866-850-6662

(8:00am - 4:30pm PST, Mon - Fri)