



# PARTS BREAKDOWN

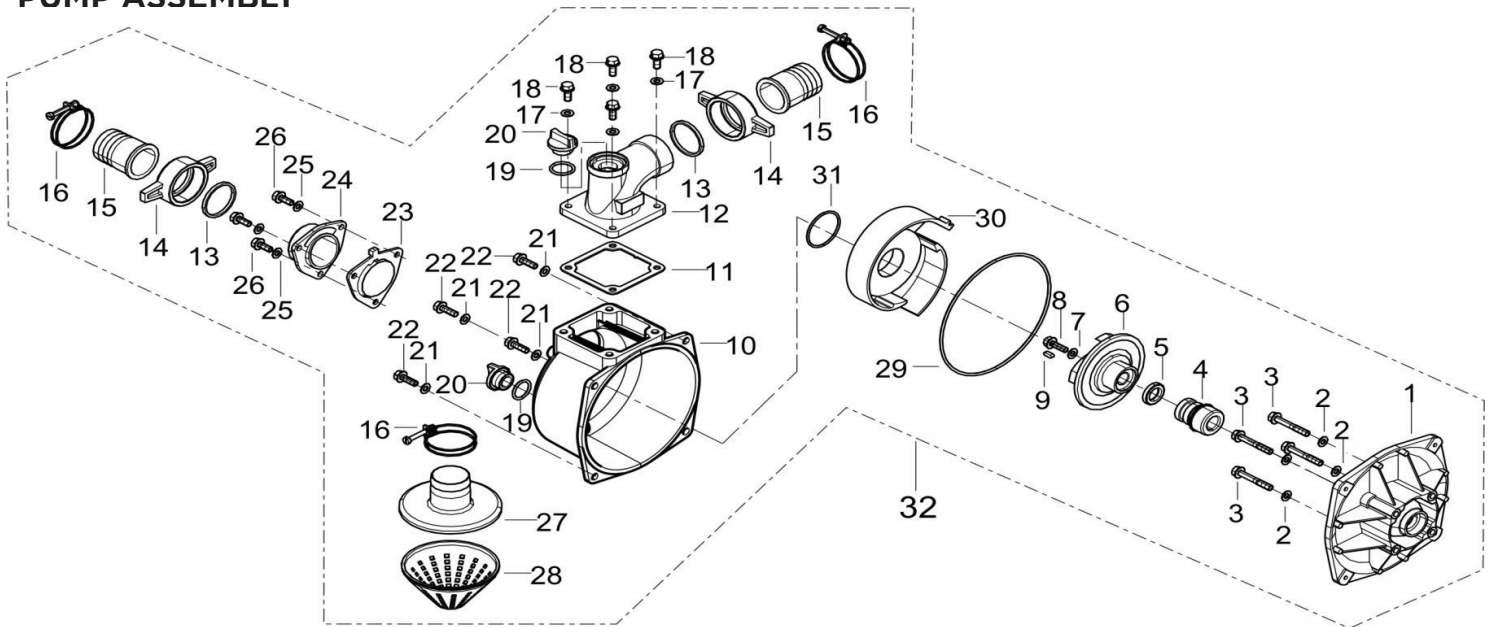
## 3" WATER PUMP

MODEL:MCW37R

---

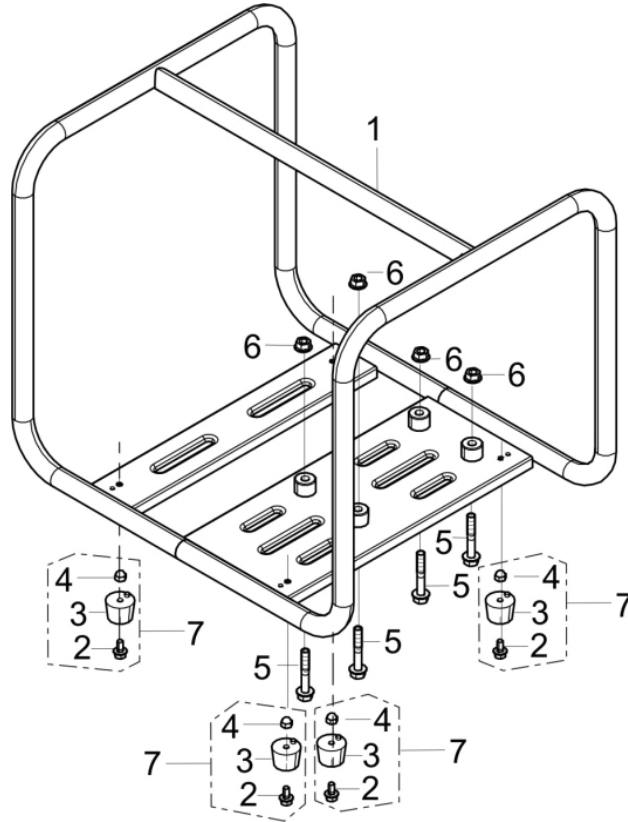


### PUMP ASSEMBLY



REF #	DESCRIPTION	QTY	BE PART #
1	Water Pump Joint	1	50.003.207
2	Washer	4	50.003.200
3	Bolt	4	
7	Washer	1	
8	Bolt	1	
9	Key	1	
17	Washer	4	50.003.202
22	Bolt	4	
4	Mechanical Seal	1	
5	Porcelain Seal	1	
11	Outlet Gasket	1	
23	Inlet Gasket	1	50.003.204
29	Joint Cushion	1	
31	Whorl Case Sealing Ring	1	
6	Impeller	1	
10	Pump Body	1	
12	Outler	1	50.002.203
24	Inlet	1	
19	Plug Washer	2	
20	Plug	2	
27	Strainer Top	1	
28	Strainer Bottom	1	50.003.208
30	Whorl Case	1	50.003.205
**	Complete Frame and Pump Assembly	1	85.150.203

**FRAME ASSEMBLY**



REF #	DESCRIPTION	QTY	BE PART #
2	Bolt	4	50.002.205
3	Engine Frame Shock Absorption Seat	4	
4	Acorn Nut	4	

**\*REFER TO THE POWEREASE 225 FOR ENGINE BREAKDOWN AND ENGINE PARTS**



---

If you need technical assistance call:

**1-866-850-6662**

(8:00am - 4:30pm PST, Mon - Fri)