



PARTS BREAKDOWN

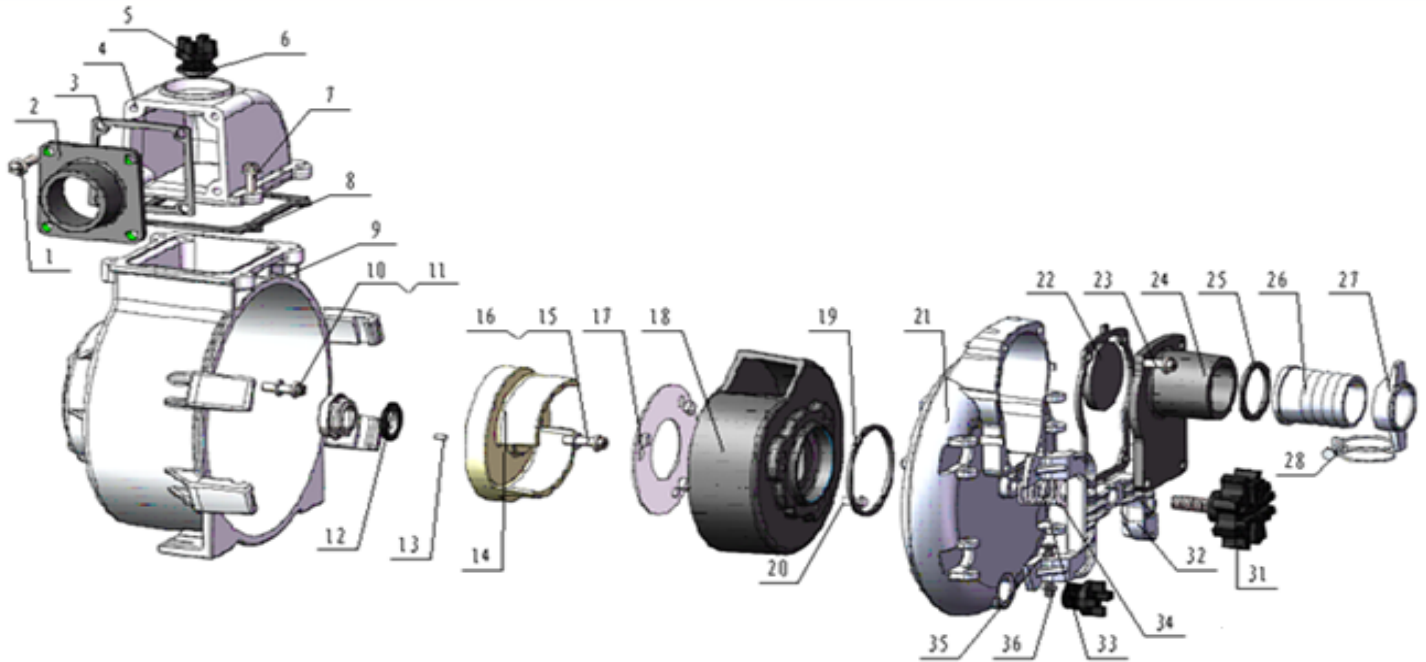
3" TRASH PUMP

MODEL:MCW365HT



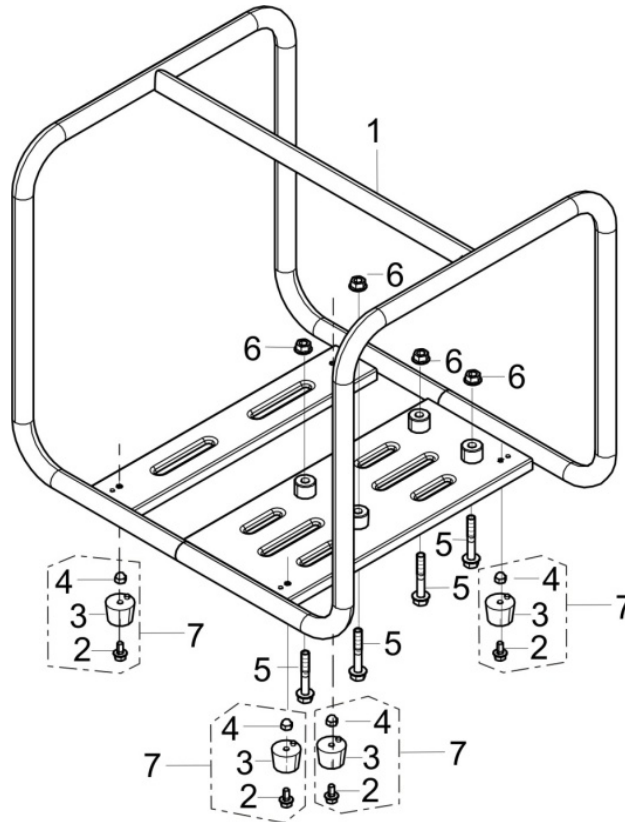
MODEL:MCW365HT

PUMP ASSEMBLY



REF #	DESCRIPTION	QTY	BE PART #
1-4,7-8,22-24	INLET/OUTLET KIT	1	90155001BE
3,8,12,19,25	SEAL KIT	1	90155002BE
5-6,33-34	PLUGS AND O-RING	2	90155003BE
9	PUMP BODY	1	90155004BE
14	IMPELLER	1	90155005BE
17-19	WHORL CASE KIT	1	90155006BE
21	PUMP CASING	1	90155007BE
25-28	WIRE LOCK CLAMP KIT	1	90155008BE
32	PUMP CASING SPRING PLATE	2	90155009BE
31,33-36	SPRING PLATE HARDWARE	1	90155010BE
1	M8*20	4	90155011BE
7	M8*20	4	
23	M8*20	4	
15	M8*25 ENGINE MOUNT BOLTS	1	
16	WASHER	1	
20	M6*16 BOLTS	6	
27	NUT	2	
10	M8*30 ENGINE MOUNT BOLTS	4	
11	WASHER	4	
13	4.78*4.8*12 KEY	1	

FRAME ASSEMBLY



REF #	DESCRIPTION	QTY	BE PART #
2	BOLT	4	50.002.205
3	ENGINE FRAME SHOCK ABSORPTION SEAT	4	
4	ACORN NUT	4	

***CHECK WITH HONDA FOR ENGINE BREAKDOWN AND PARTS**



If you need technical assistance call:

1-866-850-6662

(8:00am - 4:30pm PST, Mon - Fri)