



# PARTS BREAKDOWN

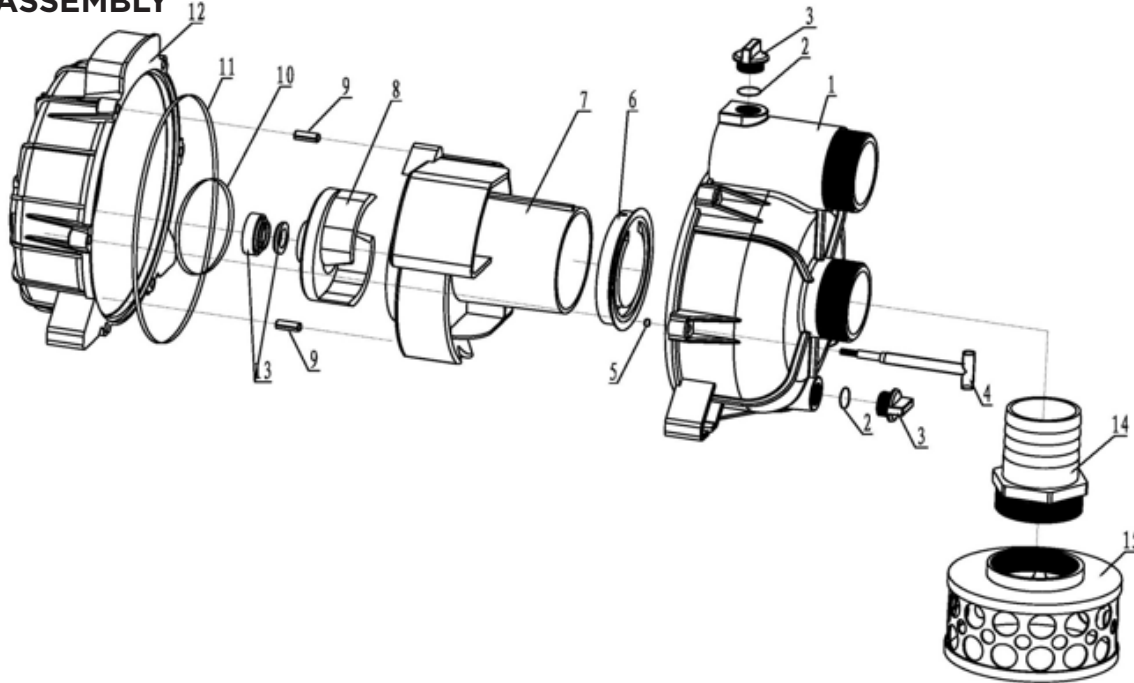
## 2" TRASH PUMP

MODEL:MCW27RT

---

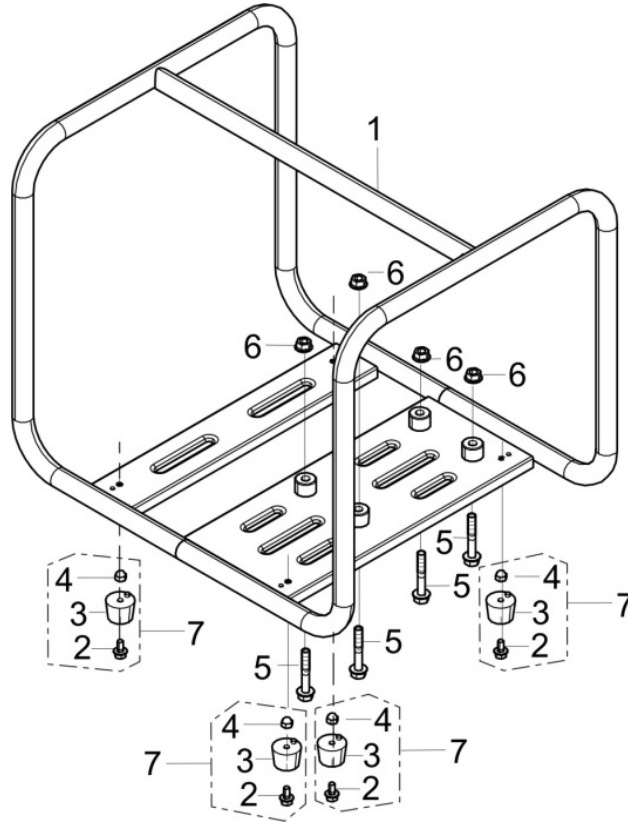


**PUMP ASSEMBLY**



REF #	DESCRIPTION	QTY	BE PART #
1	Pump Body	1	50.102.105
2	Plug	2	90155003BE
3	O-ring	2	
4	T-Bolts	6	50.102.104
5	O-ring	6	50.102.103
6	Check Valve	1	
9	Spring Column Pin	2	
10	O-ring	1	
11	O-ring	1	
13	Mechanical Seal	1	50.102.100F
7	Diffuser	1	
8	Impeller	1	50.102.101F
12	Pump Cover	1	50.102.106
15	Strainer	1	50.002.014
**	Complete Pump Assembly	1	85.150.312F

**FRAME ASSEMBLY**



REF #	DESCRIPTION	QTY	BE PART #
1	Frame	1	50.102.108
2	Bolt	4	50.002.205
3	Engine Frame Shock Absorption Seat	4	
4	Acorn Nut	4	

**\*REFER TO THE POWEREASE 225 FOR ENGINE BREAKDOWN AND ENGINE PARTS**



---

If you need technical assistance call:

**1-866-850-6662**

(8:00am - 4:30pm PST, Mon - Fri)