



# PARTS BREAKDOWN

## INVERTER GENERATOR

MODEL:C4700iD

---

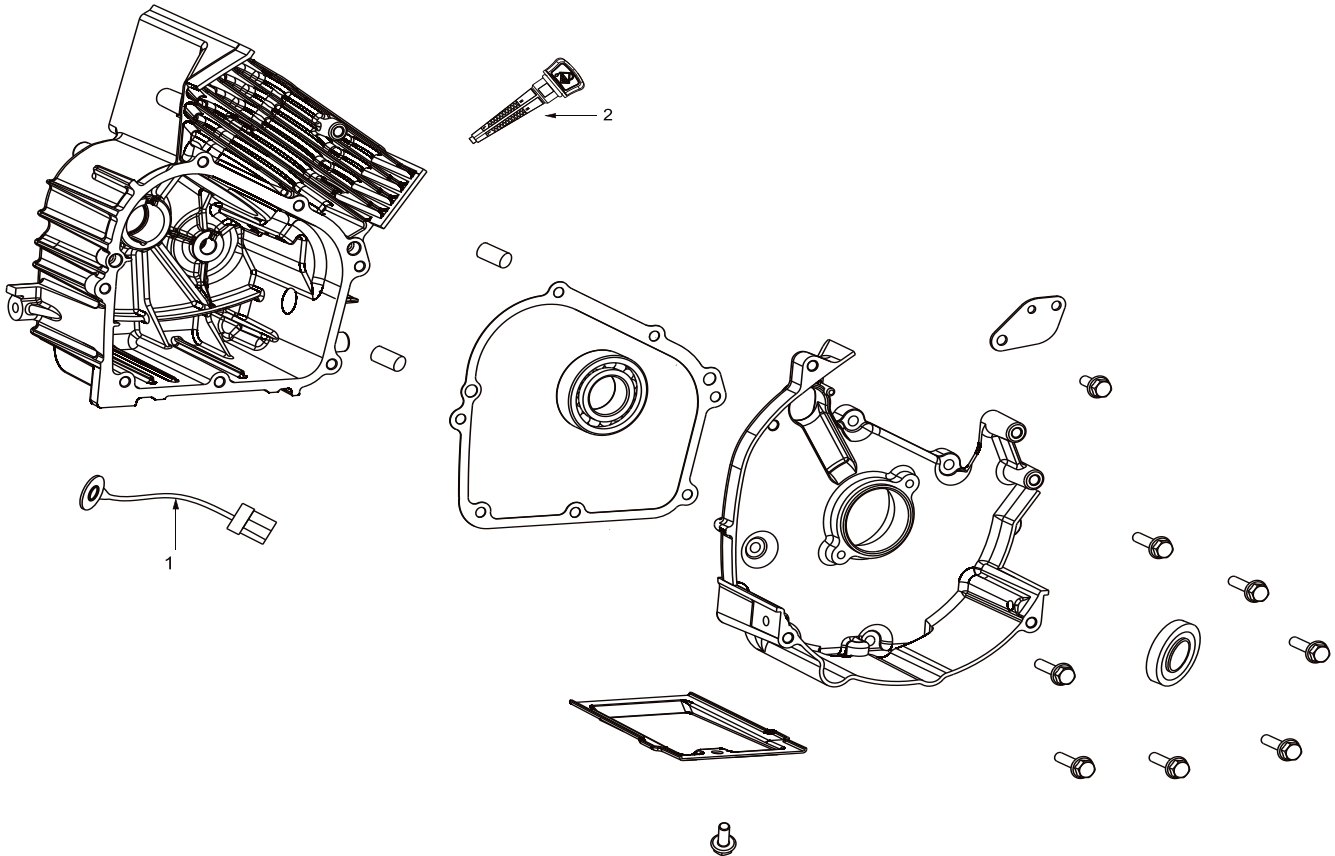




# PARTS BREAKDOWN INVERTER GENERATOR

MODEL:C4700iD

## CRANKCASE

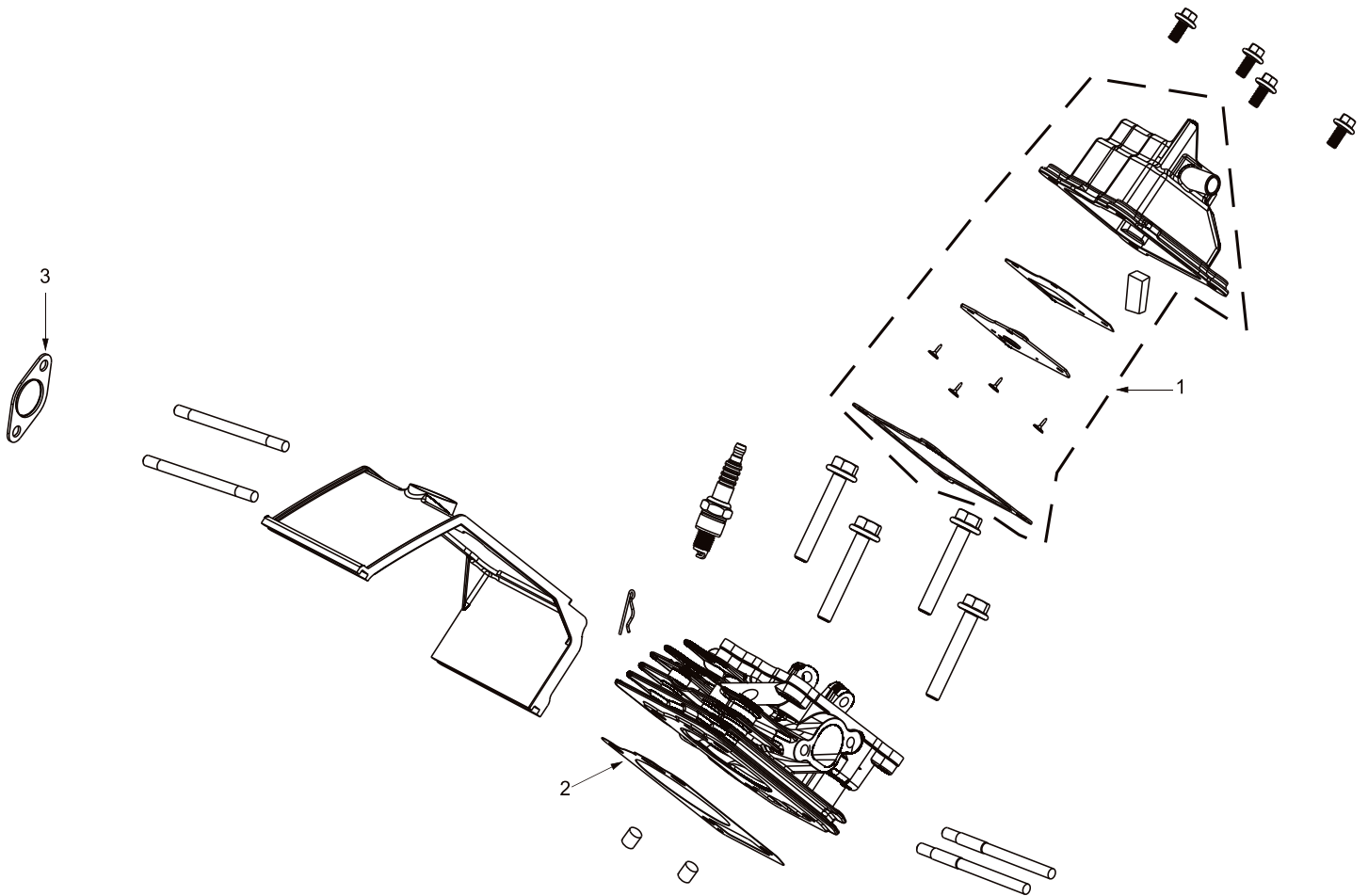


REF #	DESCRIPTION	QTY	BE PART #
1	TEMPERATURE SENSOR	1	85.561.053
2	MAGNETIC DIPSTICK	1	85.561.043

# PARTS BREAKDOWN INVERTER GENERATOR

MODEL:C4700iD

## CYLINDER HEAD COVER ASSEMBLY

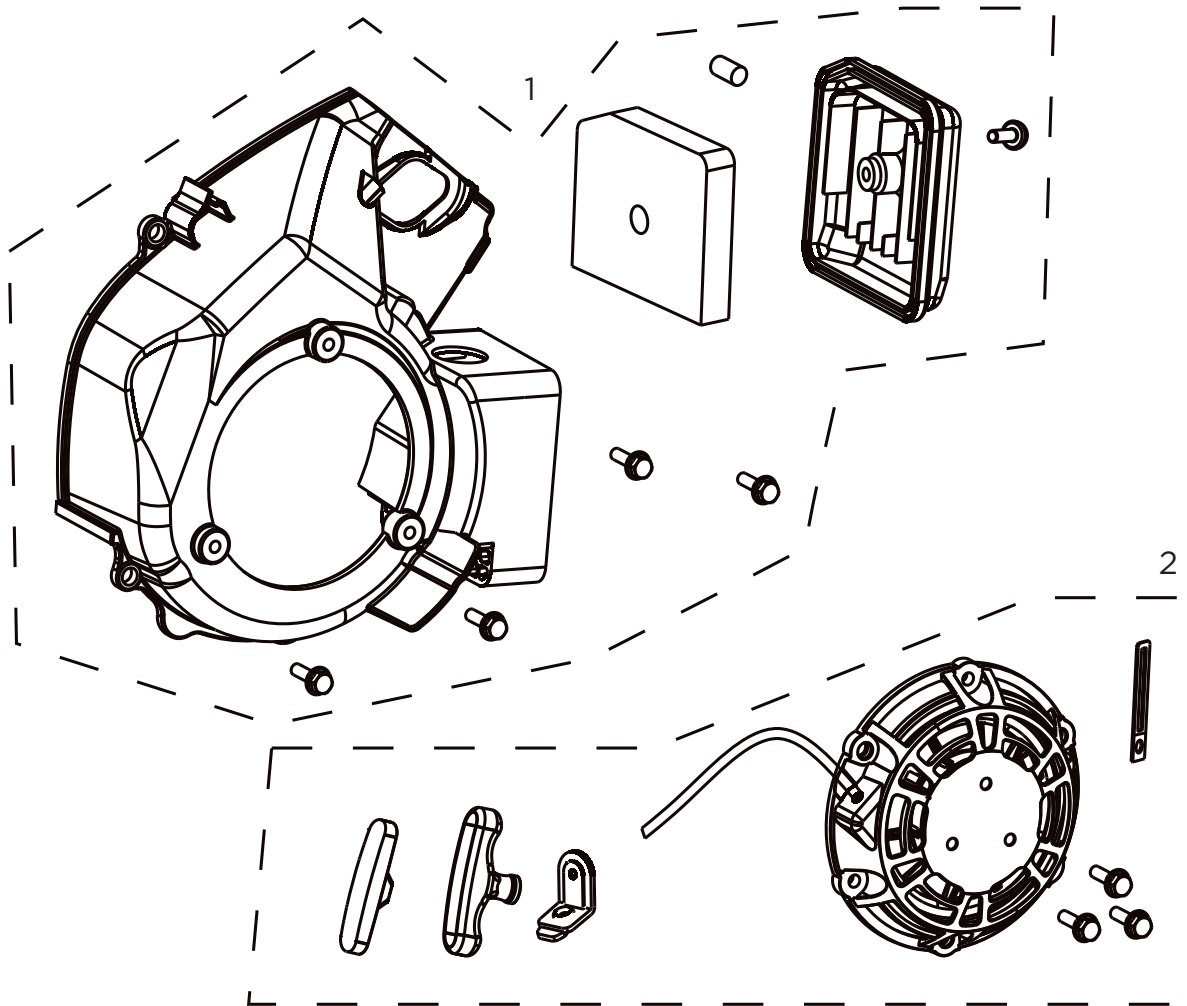


REF #	DESCRIPTION	QTY	BE PART #
1	CYLINDER HEAD COVER	1	85.561.099
2	GASKET, CYLINDER HEAD	1	85.561.113
3	EXHAUST PORT GASKET	1	85.561.107

# PARTS BREAKDOWN INVERTER GENERATOR

MODEL:C4700iD

## ENGINE STARTER

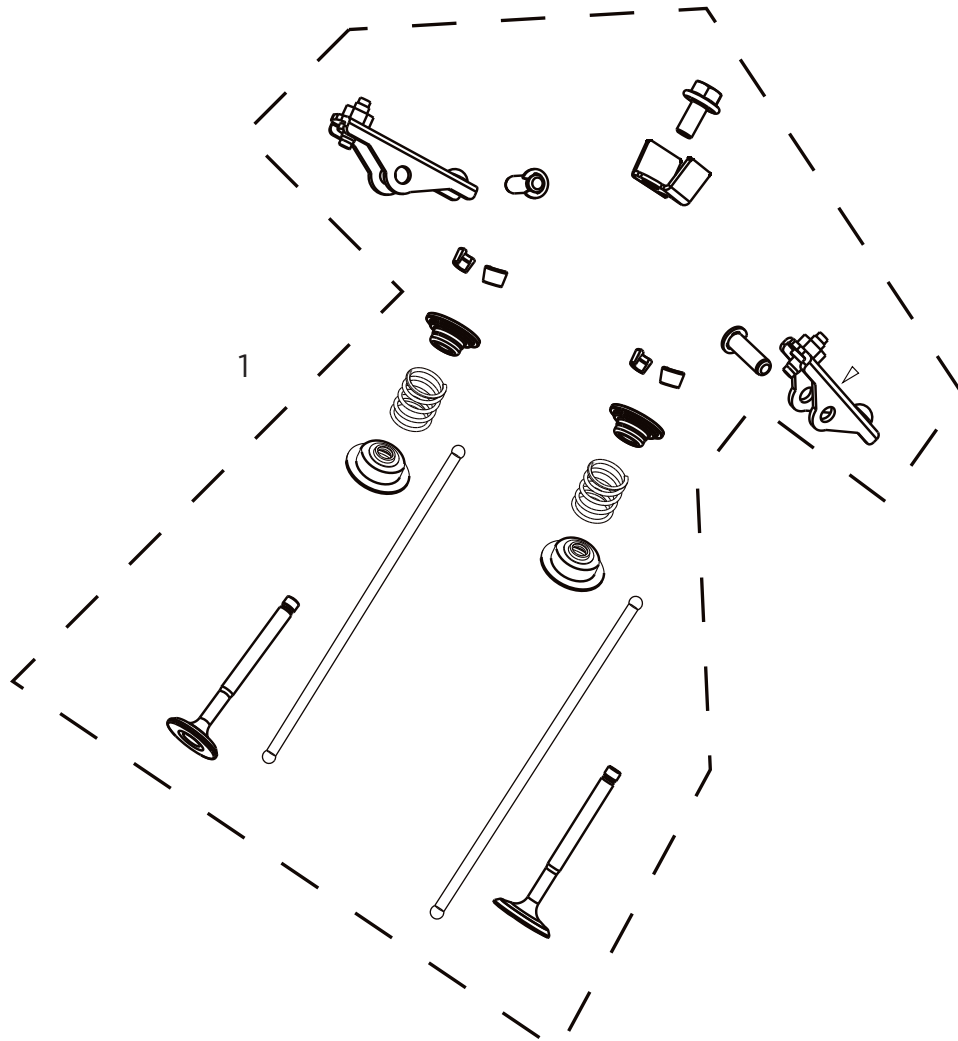


REF #	DESCRIPTION	QTY	BE PART #
1	FAN SHROUD W/AIR FILTER	1	85.561.044
2	RECOIL ASSEMBLY	1	85.561.045

# PARTS BREAKDOWN INVERTER GENERATOR

MODEL:C4700iD

## VALVE ASSEMBLY



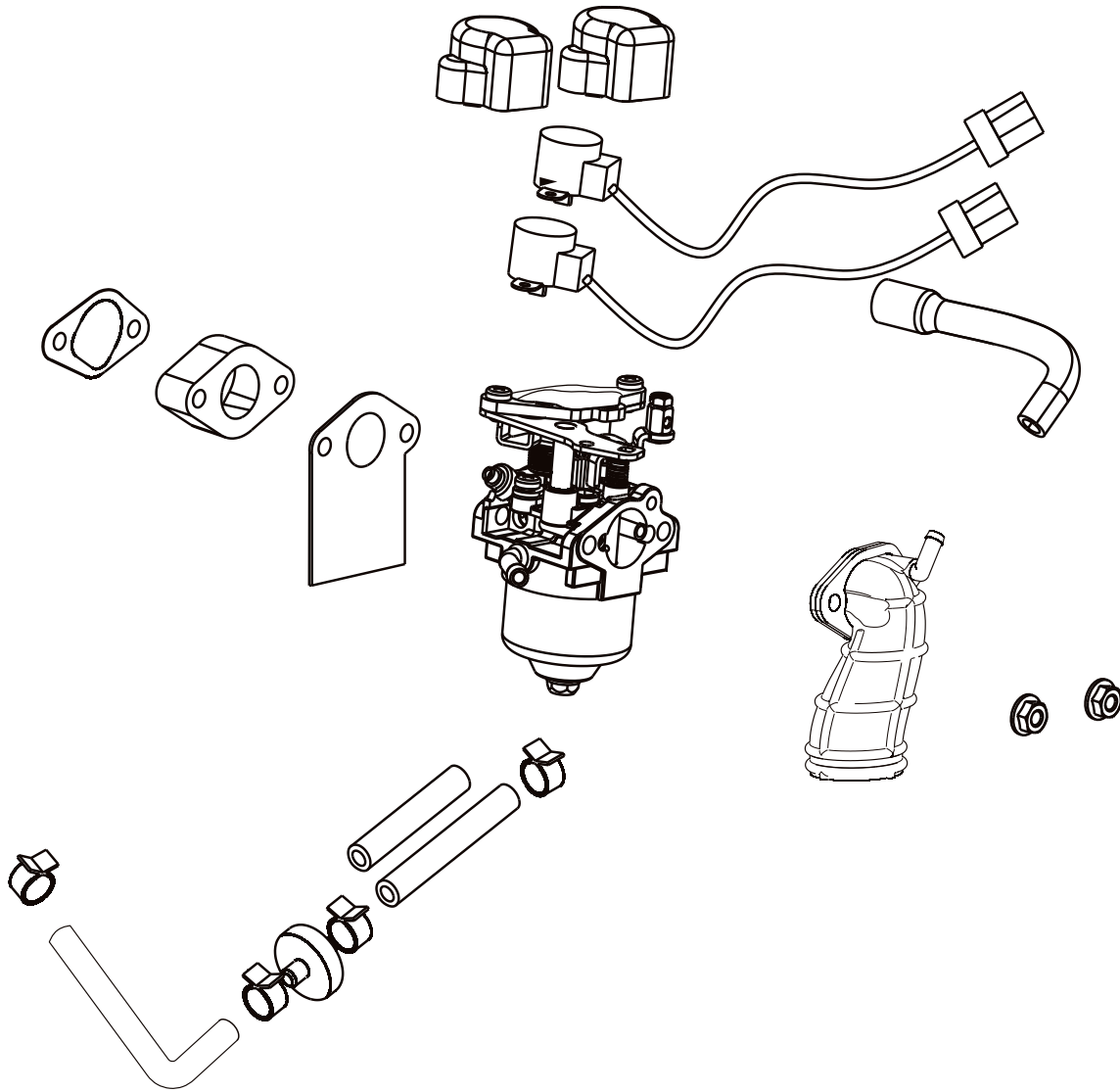
REF #	DESCRIPTION	QTY	BE PART #
1	VALVE ASSEMBLY	1	85.561.101

# PARTS BREAKDOWN

## INVERTER GENERATOR

MODEL:C4700iD

### CARBURETOR PARTS



REF #	DESCRIPTION	QTY	BE PART #
1	CARBURETOR ASSEMBLY	1	85.561.054

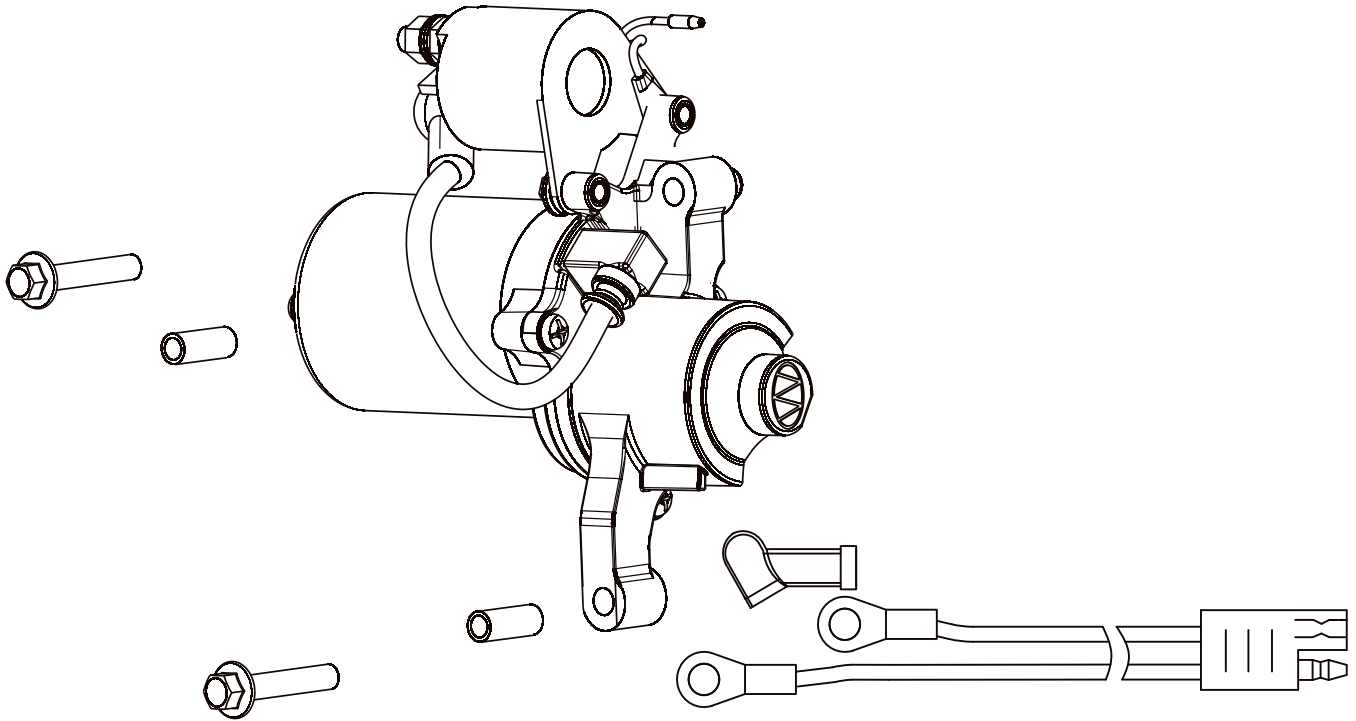


# PARTS BREAKDOWN

## INVERTER GENERATOR

MODEL:C4700iD

### STARTING MOTOR

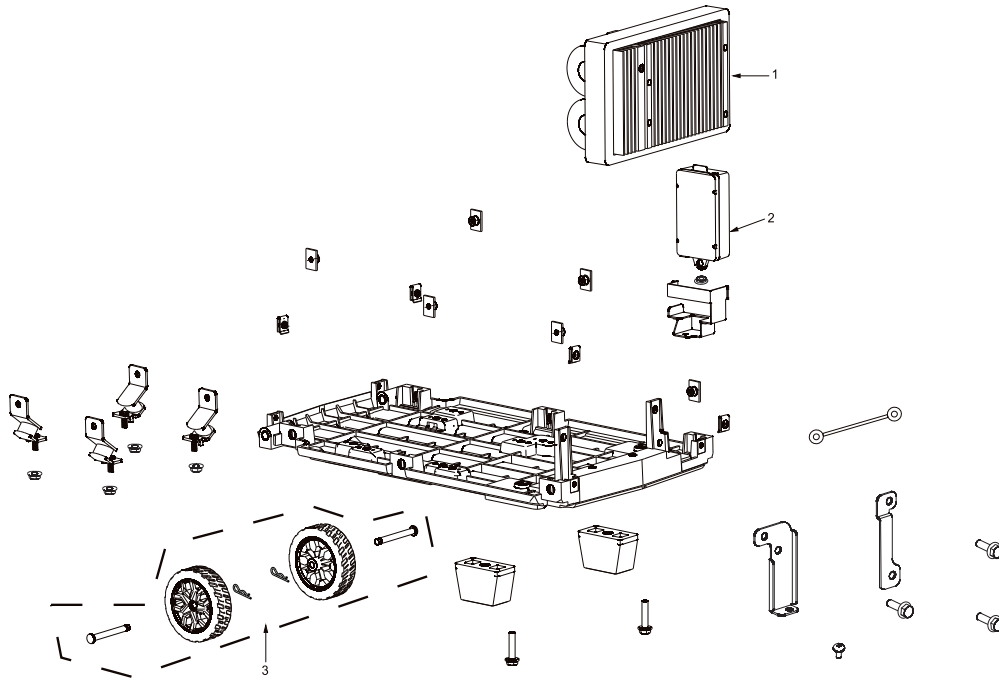


REF #	DESCRIPTION	QTY	BE PART #
1	MOTOR STARTER	1	85.561.055

# PARTS BREAKDOWN INVERTER GENERATOR

MODEL:C4700iD

## BACKPLANE / INVERTER

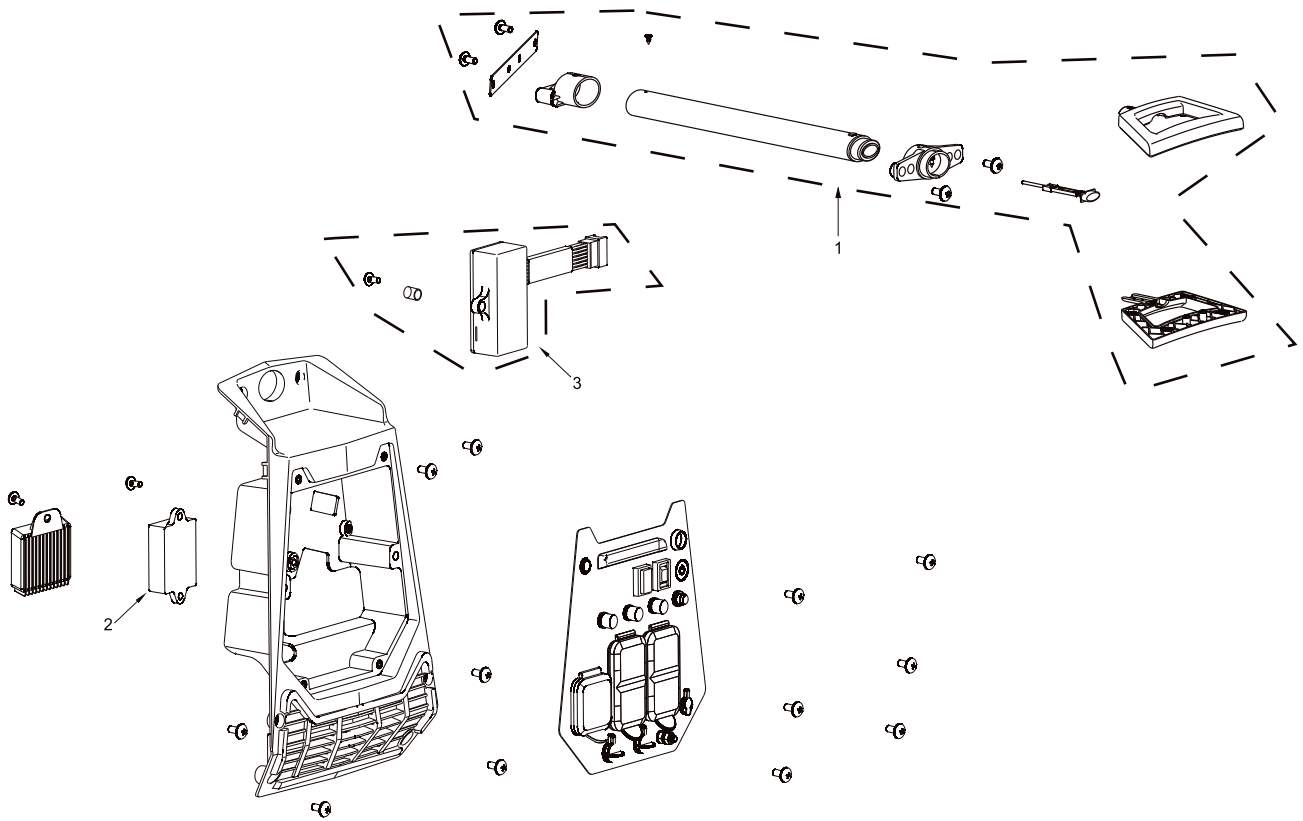


REF #	DESCRIPTION	QTY	BE PART #
1	INVERTER	1	85.561.057
2	LITHIUM BATTERY	1	85.561.058
3	WHEEL SET	2	85.561.056

# PARTS BREAKDOWN INVERTER GENERATOR

MODEL:C4700iD

**PANEL**

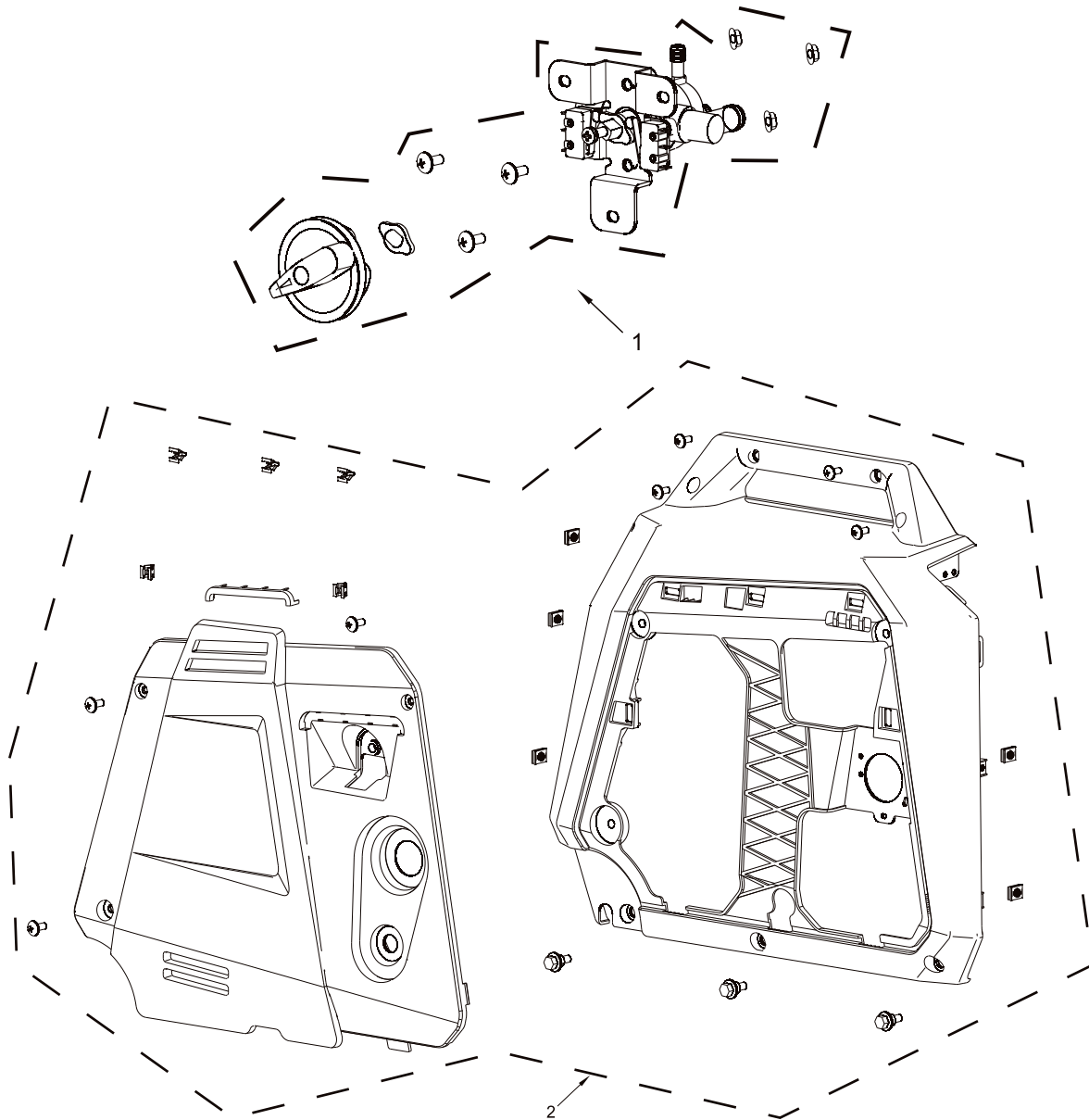


REF #	DESCRIPTION	QTY	BE PART #
1	PULL HANDLE ASSEMBLY	1	85.561.059
2	ONE-CLICK START MODULE	1	85.561.061
3	CO ALARM	4	85.561.060

# PARTS BREAKDOWN INVERTER GENERATOR

MODEL:C4700iD

## LEFT EXTERIOR COVER



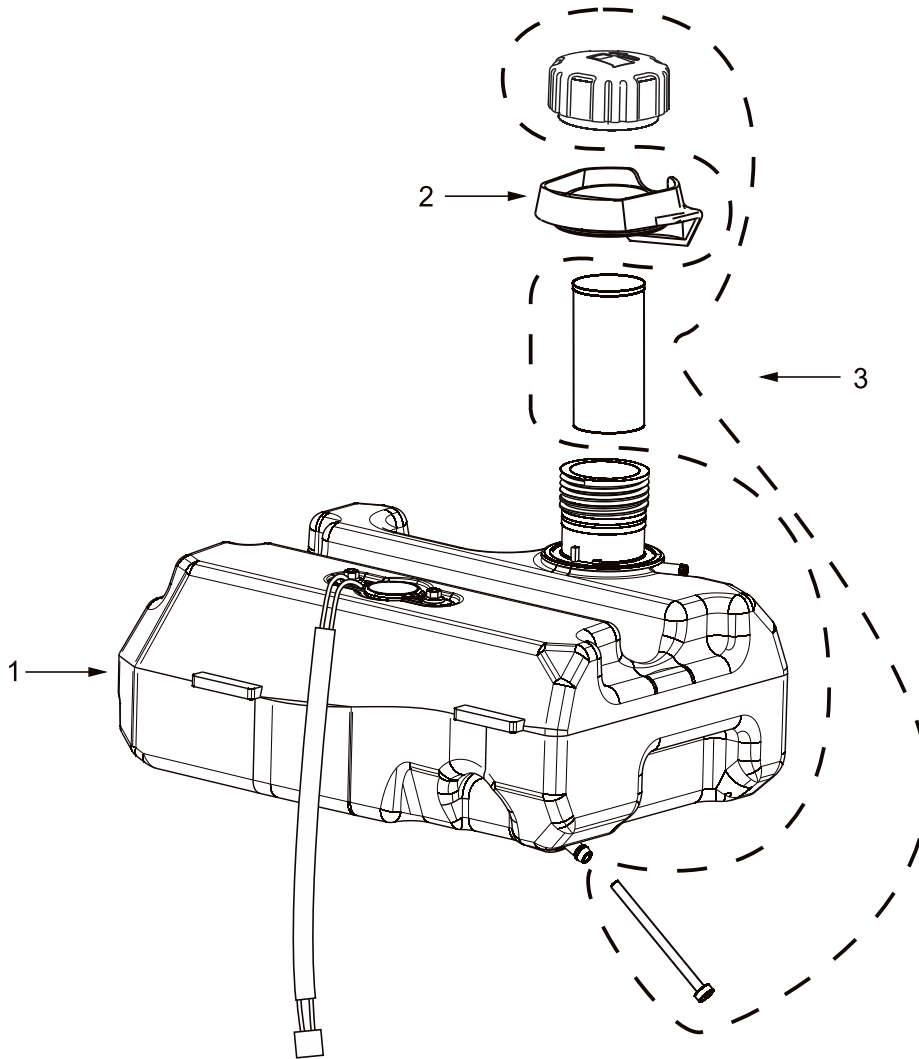
REF #	DESCRIPTION	QTY	BE PART #
1	FUEL SELECTOR SWITCH	1	85.561.062
2	LEFT COVER	1	85.561.110

# PARTS BREAKDOWN

## INVERTER GENERATOR

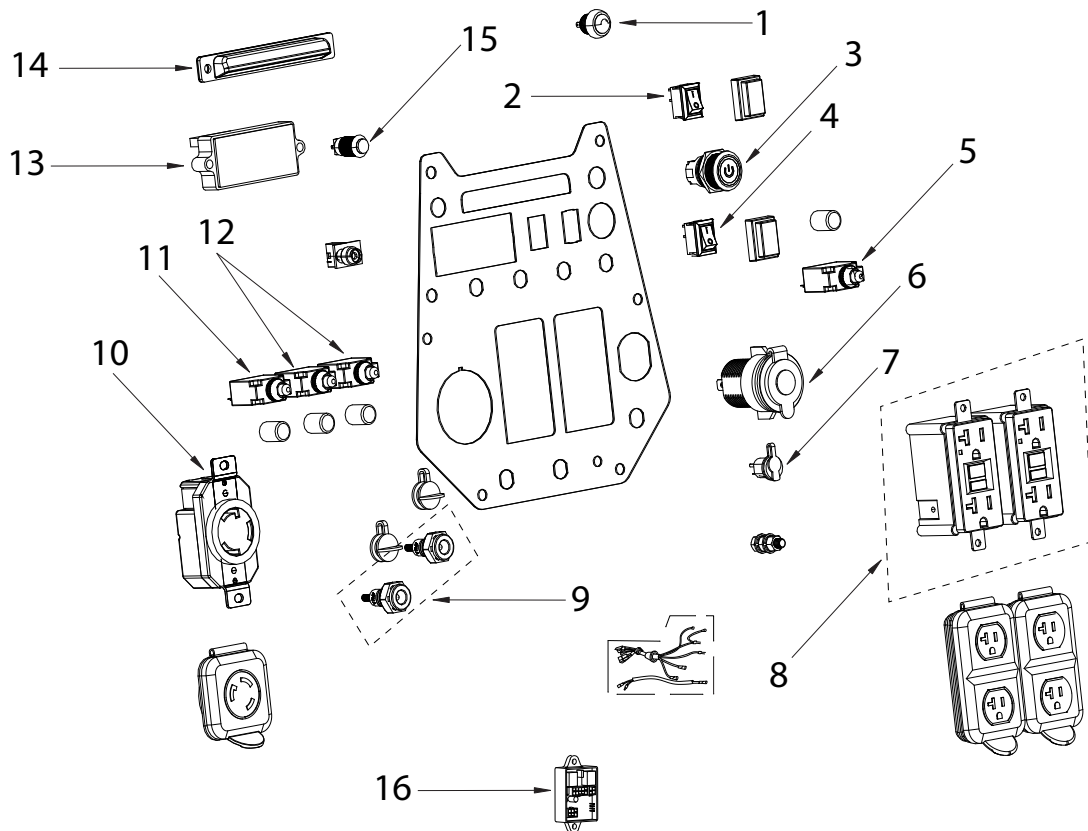
MODEL:C4700iD

### FUEL TANK COMPONENTS



REF #	DESCRIPTION	QTY	BE PART #
1	FUEL TANK	1	85.561.111
2	TANK NECK SHEATH	1	85.561.112
3	FUEL TANK CAP & FILTERS	1	85.561.050

## CONTROL PANEL



REF #	DESCRIPTION	QTY	BE PART #
1	RESET SWITCH	1	85.561.165
2	IDLE SWITCH	1	85.561.153
3	ONE-CLICK START	1	85.561.167
4	ENGINE SWITCH	1	85.561.168
5	DC THERMAL PROTECTION 8A	1	85.561.147
6	DC12V	1	85.561.148
7	BATTERY CHARGER	1	85.561.157
8	AC RECEPTACLE(GFCI) AC125V/20A	2	85.561.146
9	PARALLEL SOCKET	2	85.561.166
10	AC RECEPTACLE AC125V/30A	1	85.561.140
11	PROTECTOR 30A	1	85.561.149
12	PROTECTOR 20A	2	85.561.141
13	MULTIFUNCTIONAL DIGITAL DISPLAY TABLE	1	85.561.164
14	LED LIGHT	1	85.561.155
15	LED SWITCH	1	85.561.136
16	ONE-CLICK START MODULE	1	85.561.169



---

If you need technical assistance call:

**1-855-850-6668**

(8:00am - 4:30pm PST, Mon - Fri)