

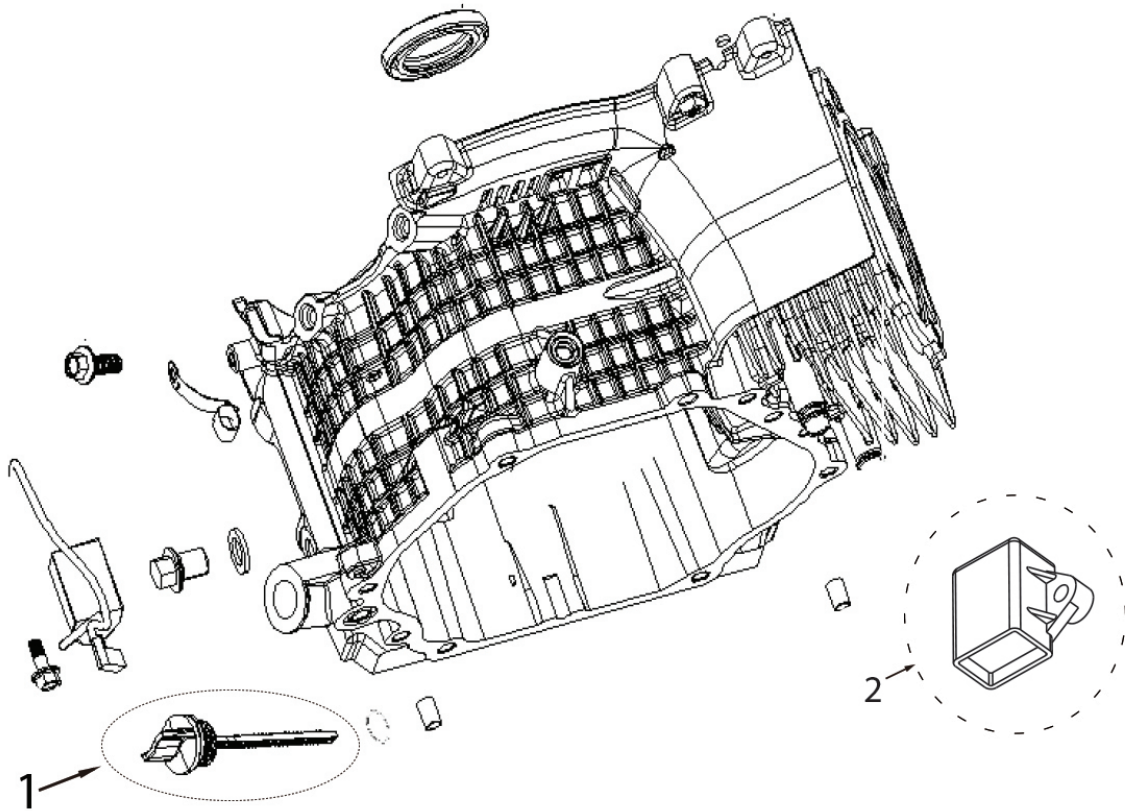


PARTS BREAKDOWN GENERATOR

MODEL:C12500T

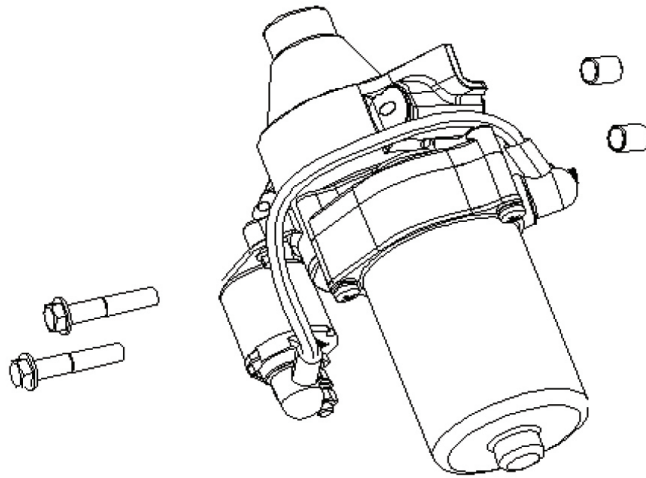


CRANKCASE PARTS



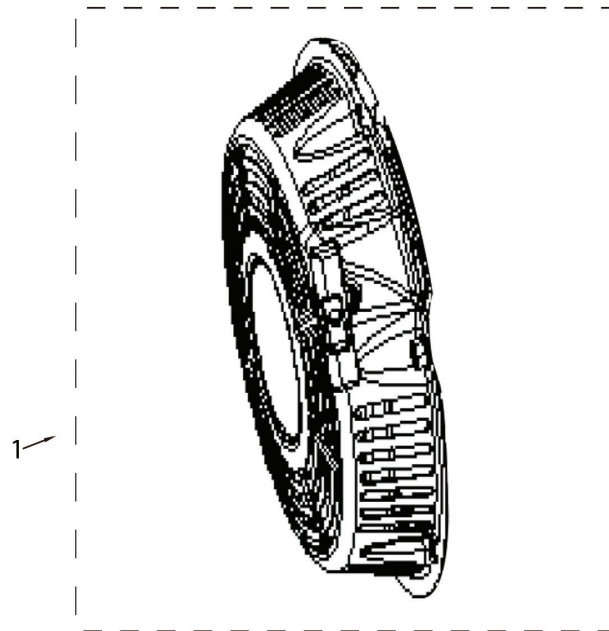
REF #	DESCRIPTION	QTY	BE PART #
1	MAGNETIC DIPSTICK	1	85.561.040
2	GOVERNOR	1	85.561.041

STARTING MOTOR



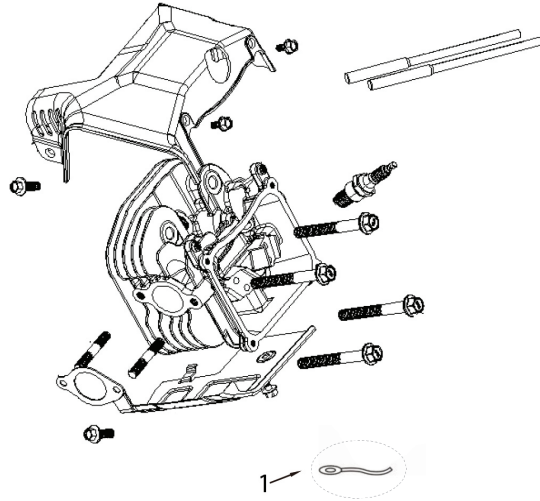
REF #	DESCRIPTION	QTY	BE PART #
1	MOTOR STARTER	1	85.561.034

ENGINE STARTER



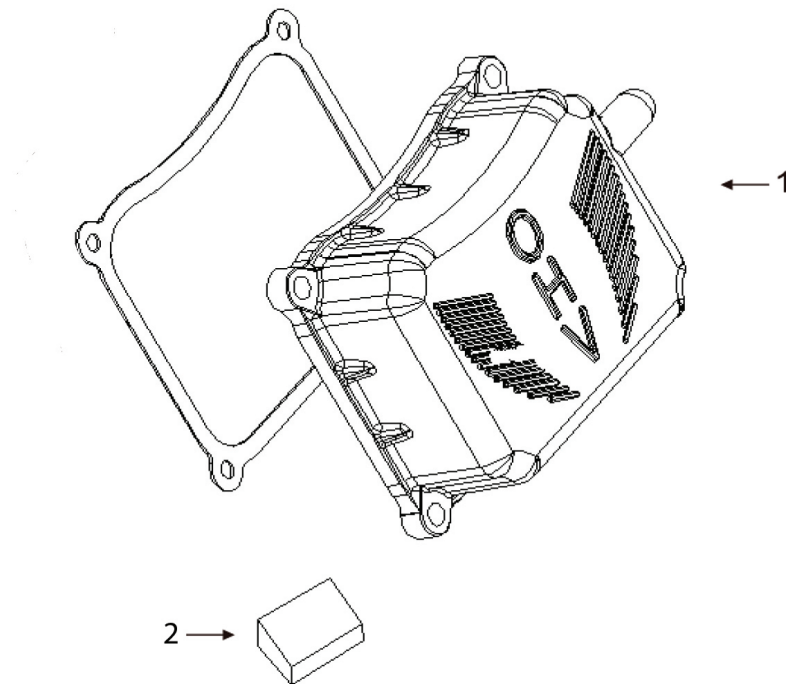
REF #	DESCRIPTION	QTY	BE PART #
1	RECOIL ASSEMBLY	1	85.561.010

CYLINDER HEAD PARTS



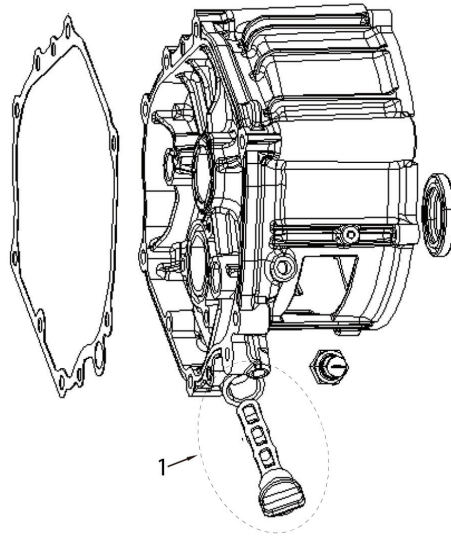
REF #	DESCRIPTION	QTY	BE PART #
12	TEMPERATURE CONTROL SENSOR	1	85.561.030

VALVE COVER



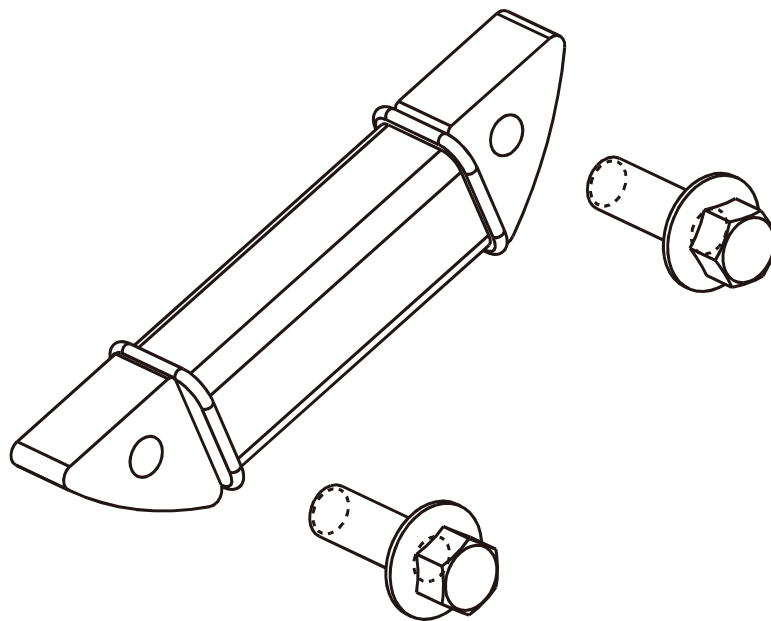
REF #	DESCRIPTION	QTY	BE PART #
1	VALVE COVER ASSEMBLY	1	85.561.094
2	OIL STRAINER	1	85.561.096

CRANKCASE COVER



REF #	DESCRIPTION	QTY	BE PART #
5	OIL FILTER PLUG	1	85.561.042

CHARGING COIL ASSEMBLY

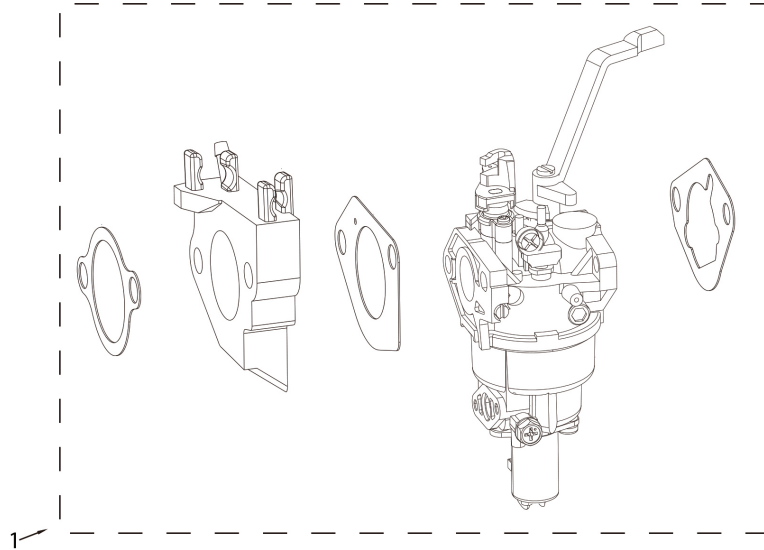


REF #	DESCRIPTION	QTY	BE PART #
1	CHARGING COIL	1	85.561.029

PARTS BREAKDOWN GENERATOR

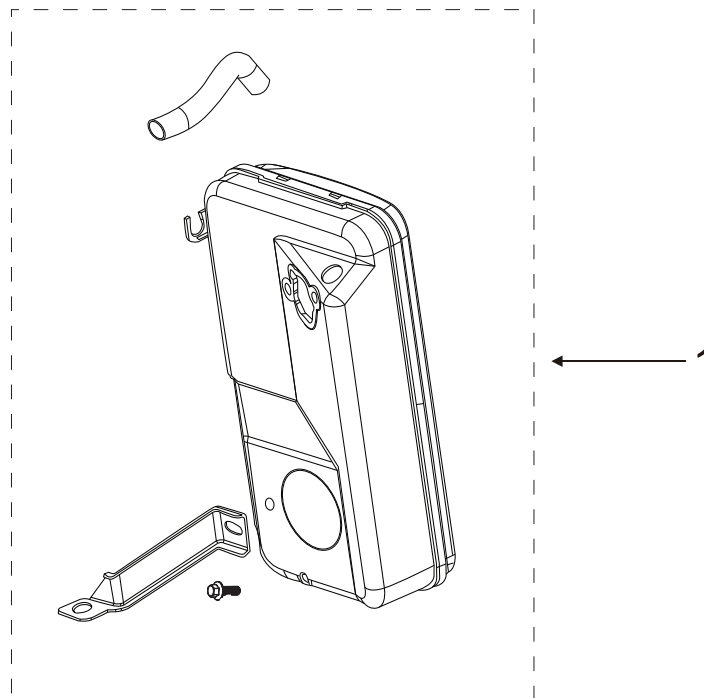
MODEL:C12500T

CARBURETOR ASSEMBLY



REF #	DESCRIPTION	QTY	BE PART #
1	CARBURETOR ASSEMBLY.	1	85.561.035

AIR CLEANER ASSEMBLY

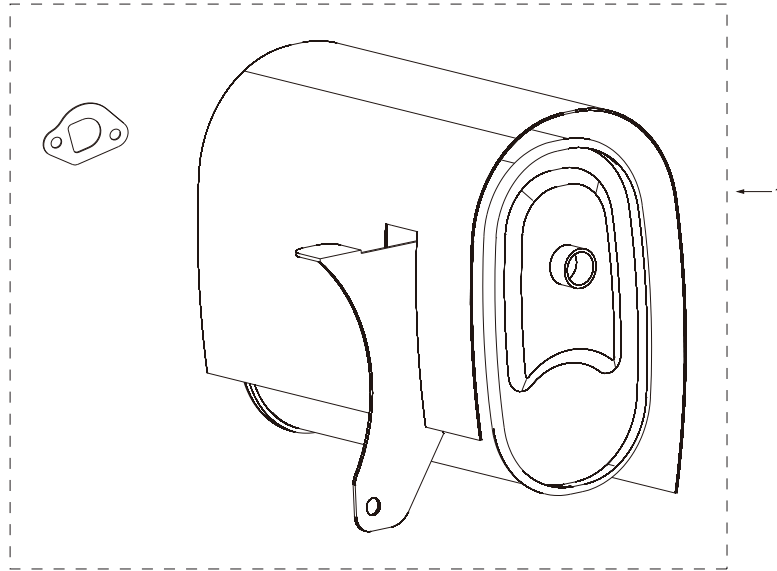


REF #	DESCRIPTION	QTY	BE PART #
1	AIR CLEANER ASSEMBLY.	1	85.561.036

PARTS BREAKDOWN GENERATOR

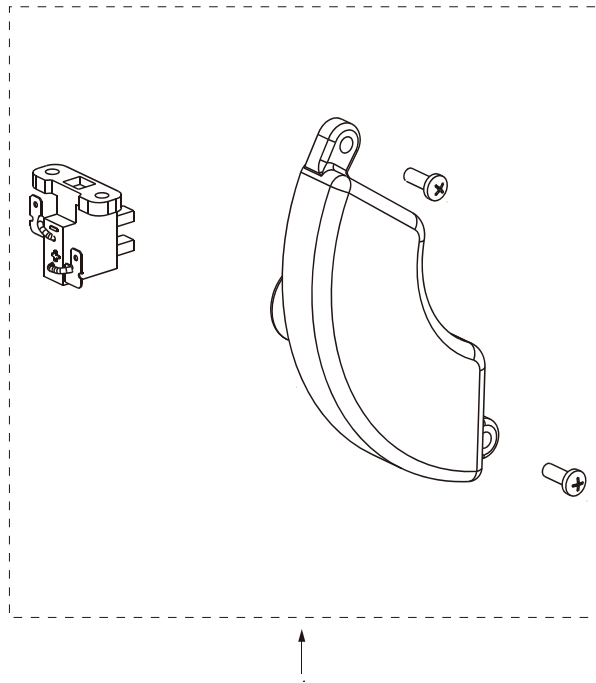
MODEL:C12500T

MUFFLER PARTS



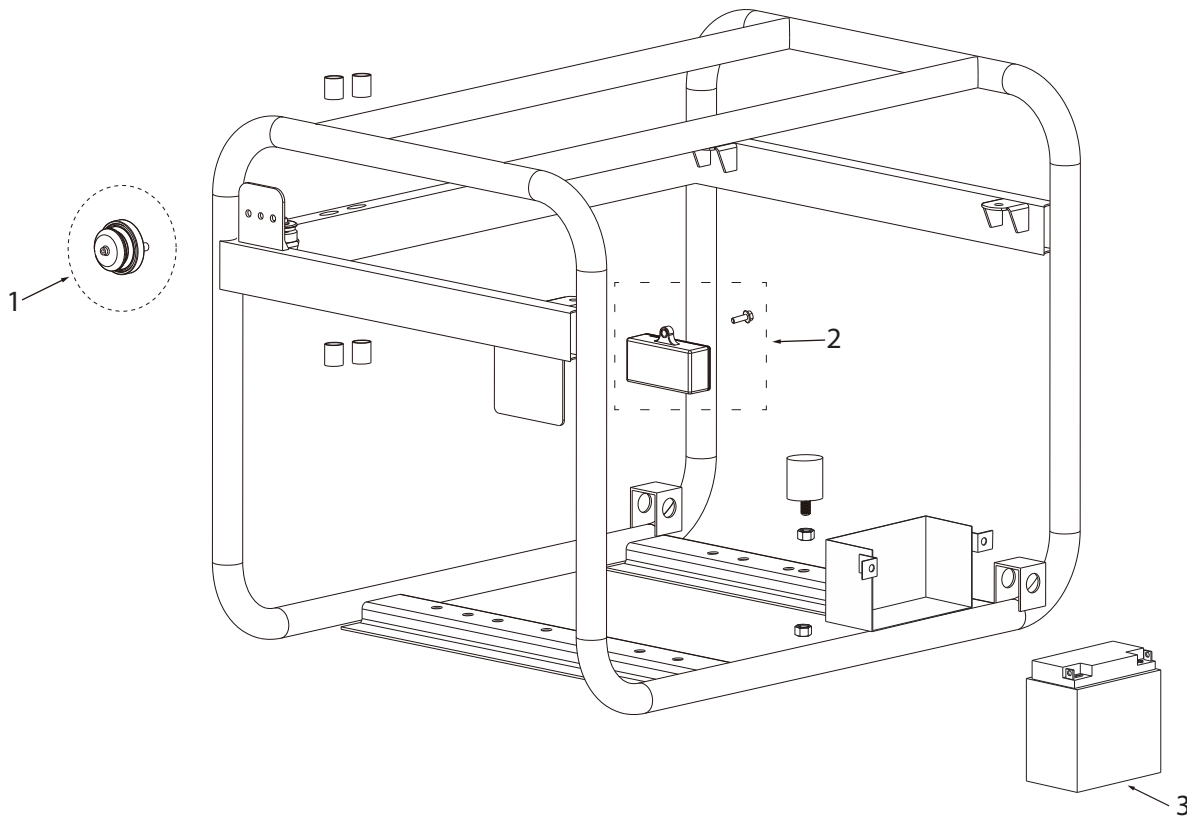
REF #	DESCRIPTION	QTY	BE PART #
1	MUFFLER W/GASKET	1	85.561.097

VOLTAGE REGULATOR



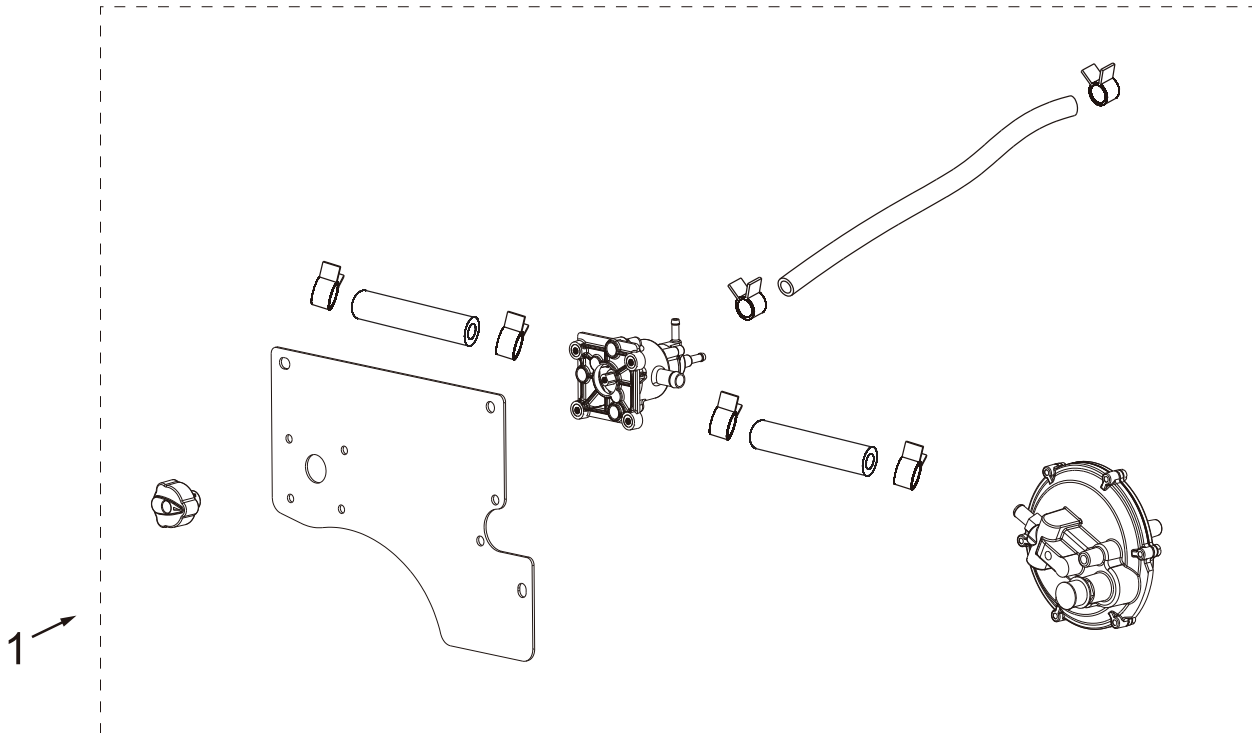
REF #	DESCRIPTION	QTY	BE PART #
1	AVR & BRUSHES	1	85.561.037

FRAME PARTS



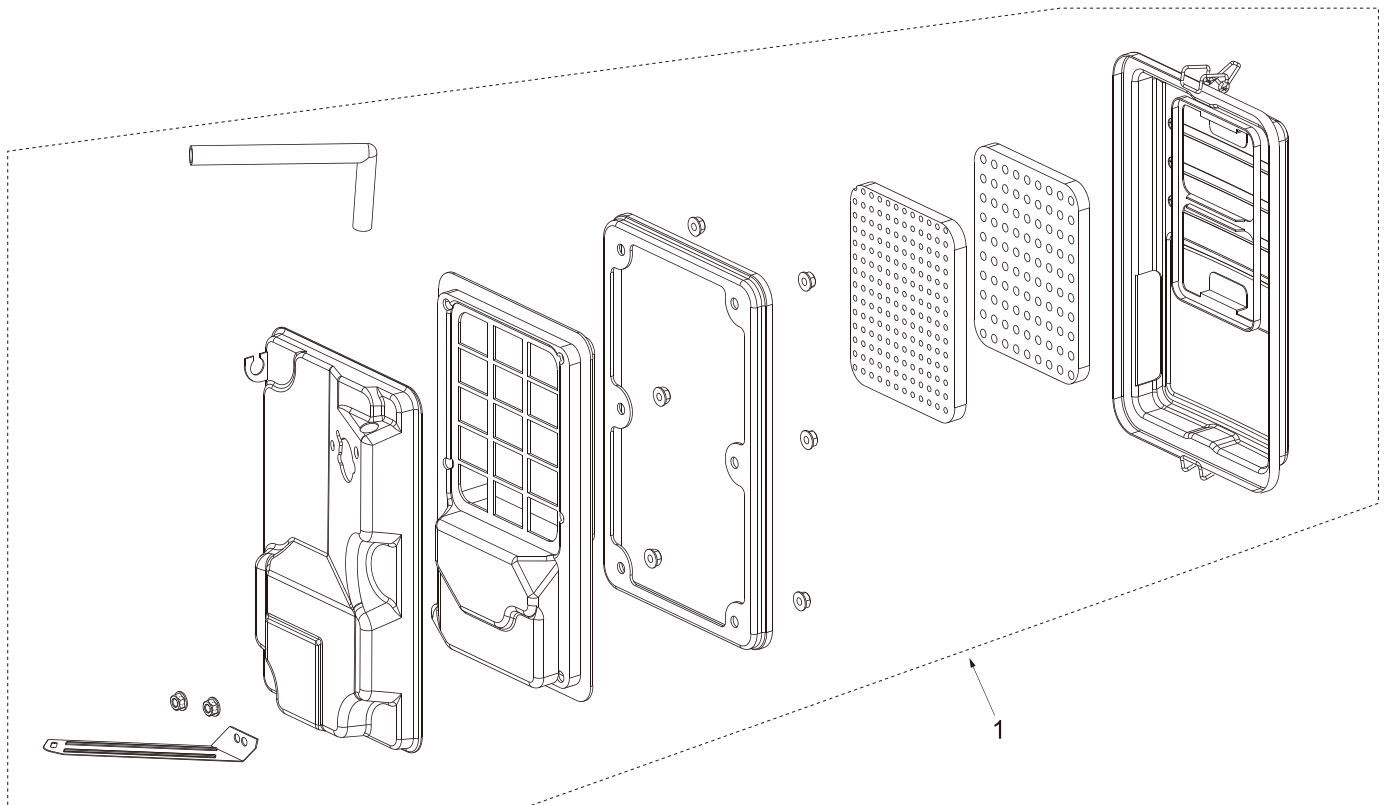
REF #	DESCRIPTION	QTY	BE PART #
1	COLD WEATHER PRIMER	1	85.561.005
2	CO ALARM	1	85.561.006
3	LITHIUM BATTERY	1	85.561.032

SWITCH, SECONDARY PRESSURE REDUCING VALVE



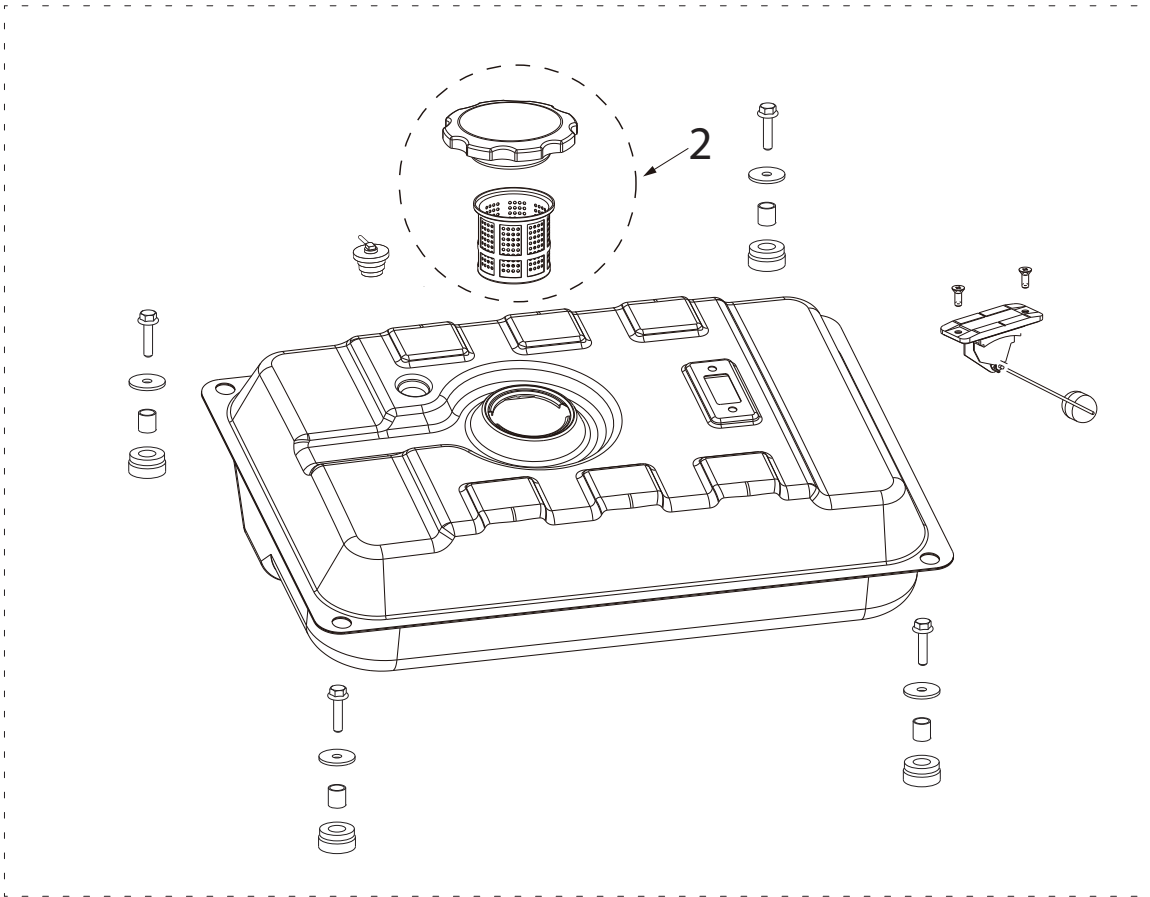
REF #	DESCRIPTION	QTY	BE PART #
1	SWITCH, SECONDARY PRESSURE REDUCING VALVE	1	85.561.038

WHEEL AND HANDLE SET



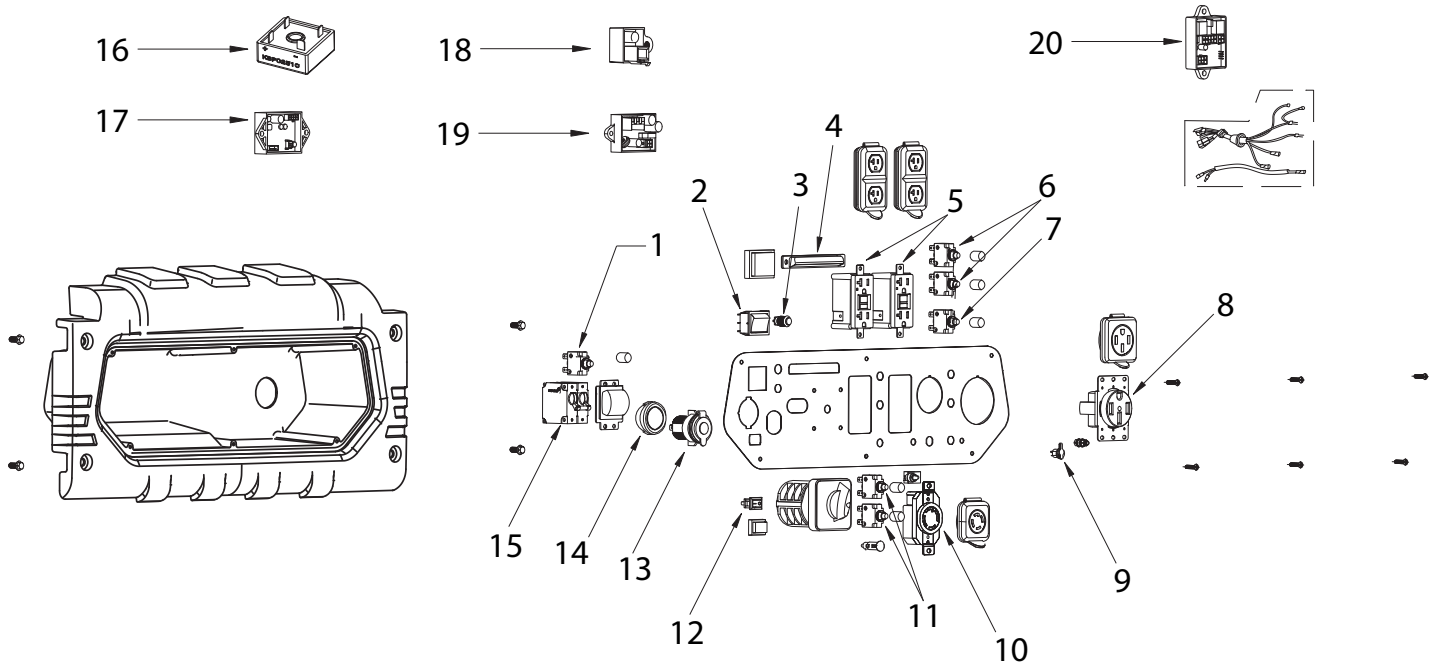
REF #	DESCRIPTION	QTY	BE PART #
1	WHEEL AND HANDLE SET	2	85.561.026

FUEL TANK PARTS



REF #	DESCRIPTION	QTY	BE PART #
1	FUEL TANK ASSEMBLY	1	85.561.098
2	FUEL CAP & TRAINER	1	85.561.039

CONTROL PANEL



REF #	DESCRIPTION	QTY	BE PART #
1	DC THERMAL PROTECTION 8A	1	85.561.147
2	ENGINE SWITCH	1	85.561.154
3	LED SWITCH	1	85.561.136
4	LED LIGHT	1	85.561.155
5	AC RECEPTACLE(GFCI) AC125V/20A	2	85.561.146
6	PROTECTOR 30A	2	85.561.149
7	PROTECTOR 50A	1	85.561.161
8	AC RECEPTACLE AC125V250V/50A	1	85.561.162
9	BATTERY CHARGER	1	85.561.157
10	AC RECEPTACLE AC125V250V/30A	1	85.561.145
11	PROTECTOR 20A	2	85.561.141
12	IDLE SWITCH	1	85.561.153
13	DC12V	1	85.561.148
14	ONE-CLICK START SWITCH	1	85.561.158
15	CIRCUIT BREAKER 2P-40A	1	85.561.171
16	KBPC2510	1	85.571.049
17	ELECTRONIC SPEED CONTROL MODULE	1	85.561.172
18	DC08	1	85.561.142
19	EC1603	1	85.561.175
20	ONE-CLICK START MODULE	1	85.561.160



If you need technical assistance call:

1-855-850-6668

(8:00am - 4:30pm PST, Mon - Fri)